

**AVENGER**  
**150 STREET**



**THE WORLD'S  
FAVOURITE  
INDIAN**

**AVENGER**  
**150 STREET**

**Bajaj Auto Limited**  
Akurdi Pune 411 035 India  
Tel +91 20 27472851  
Fax +91 20 27407385  
[www.bajajauto.com](http://www.bajajauto.com)

CIN L65993PN2007PLC130076

# Spare Parts Catalogue



## Notice

---

All information contained in this manual is based on the latest product information at the time of publication. Bajaj Auto Limited accepts no liability for any inaccuracies or omissions in this publication, although every possible care has been taken to make it as complete and accurate as possible. All procedures and specifications subject to change without prior notice. The right is reserved to make such changes at any time without prior notice and without incurring an obligation to make such changes to product manufactured previously. Contact your authorized Bajaj Dealer for the latest information on product improvements incorporated after this manual was issued.

**DOC. NO.: 71120118**

**REV. 00 MAY 19**

Copy rights : All rights reserved. No part of this publicatin may be reproduced, stored in a retrival system, Or transmitted in any form or by any means, electronic mechanical photocopying, recording or otherwise, without the prior written permission of Bajaj Auto LTD.

---

# Foreword

**AVENGER**  
150 STREET

We have pleasure in presenting the Spare Parts Catalogue for 'Avenger 160 Street' Motorcycle. This catalogue has been specially designed to assist you in selecting the correct parts for procurement to maintain 100% availability.

The Bajaj spares are subjected to the stringent quality control standards to ensure longer life of the vehicle. It is therefore necessary that only the Genuine Bajaj Spares are used.

In a continual effort to improve Performance and Efficiency of the vehicles, Specifications, Diagrams, Illustrations and Part Numbers can change without notice. Consequently, the description in this Spare Parts Catalogue cannot therefore be final and binding on us.

The modifications / alterations which are carried out after the issue of this catalogue, will be conveyed to you through our Service Circulars. You are requested to make necessary corrections in the Parts Catalogue as per the circulars so as to keep your catalogue up-to-date. This will ensure the appropriate and speedy delivery of the Spare Parts as the order placed will bear the latest part numbers.

In case, if you need any technical assistance contact the concerned Regional Office or write to us on the following address :

**Bajaj Auto Limited**  
**Service Department**  
Akurdi, Pune 411 035 India

# Instructions

**AVENGER**  
150 STREET

**1. How to Read the Catalogue :** Open the catalogue and from the pictorial index locate the group in which the part you want to find is present. Turn over to the concerned page number (as given by pictorial index). Now find out the figure of the part you wish to order. Write down the part number against that particular figure number from the text.

In case, if you have the part number and you need the other details, the part index can be used. The part index (at the end of the catalogue) will give you the figure and page number of the part you wish to order.

**2. How to Order Spare Parts :** The part number and the description of the part required should be invariably mentioned in the order as per the catalogue text.

The latest part number as conveyed through our service circulars should only appear on the order. In case of ordering painted components, colour shade of the components should be mentioned.

The quantity shown against the part number is the quantity per vehicle for that group so that particular quantity should be multiplied by the number of sets required.

**3. Part Number System :** We have used 8 digit system for part numbers. The model or hardware item is indicated by first two digits or alphanumeric, the next two or four digits indicate main group and the last four or two digits indicate serial number in main group or serial number or subgroup of fastener respectively. Thus the part numbers will be indicated by 2-2-4 or 2-4-2 digit system. Understanding this system will enable you to identify the spare parts easily.

**4. Abbreviations :** The following abbreviations are used in this catalogue.

Assly	Assembly	V	Volts
N.I.	Not illustrated	W	Watts
C'case	Crankcase	Accl.	Accelerator
Cyl	Cylinder	Comp.	Complete
O/s	Over size	Fr.	Front
Rr.	Rear	Std.	Standard
L	Length	A/t.	Alternate
R.H.	Right hand	L.H.	Left hand
Hex.	Hexagonal	AR	As required





## Index

**AVENGER**  
150 STREET

Plate No.	Description	Page No.
1	Cover Cylinder Head	2
2	Cylinder Head	4
3	SAI System	6
4	Valve	8
5	Camshaft / Tensioner	10
6	Block Cylinder and Piston	12
7	Crankshaft	14
8	Balancer & Balancer Idler Gear	16
9	Transmission	18
10	Change Drum / Shift Fork	20
11	Gear Change Mechanism	22
12	Engine Assembly & Crankcase RH	24
13	Crankcase LH	26
14	Cover Clutch	28
15	Cover Magneto	30
16	Clutch Assembly	32
17	Oil Pump	34
18	Carburettor	36
19	Silencer Assembly	38
20	Air Cleaner	40
21	Magneto, CDI, Spark Plug & H.T. Coil	42
22	Starter Motor & Starter Assembly	44
23	Frame & Frame Fittings	46
24	Frame Fitting	48
25	Swing Arm	50
26	Rear Shock Absorber	52
27	Foot Rest	54
28	Mudguard - Front & Rear	56
29	Side Stand & Center Stand Assembly	58
30	Tyre, Tube & Wheel Rim	60
31	Front Hub	62

## Index

**AVENGER**  
150 STREET

Plate No.	Description	Page No.
32	Rear Hub - Alloy Wheel	64
33	Rear Brake Pedal	66
34	Front Master Cylinder	68
35	Front Brake - Caliper & Disc	70
36	Anti Lock Braking System (ABS)	72
37	Handle Bar Assembly	74 - 76
38	Front Fork	78 - 80
39	Fuel Tank	82 - 84
40	EVAP Mechanism	86
41	Seat / Grip Frame Rear / Cover Grip Frame	88
42	Speedometer	90
43	Cables	92
44	Side Covers / Chain Covers	94
45	Guards	96
46	Head Light	98
47	Tail Light / Reflector Reflex	100
48	Indicator Light	102
49	Electrical Equipment	104
50	Ignition Switch & Control Switch	106
51	Tool Kit	108
52	Painted Parts and Decals	110
53	Consumable Parts	112 - 114
	Kits List	115 - 118
	Amendment Sheet (Parts Added)	119
	Amendment Sheet (Parts Deleted)	120
	Part Index	121 - 136

# Pictorial Index

**AVENGER**  
150 STREET

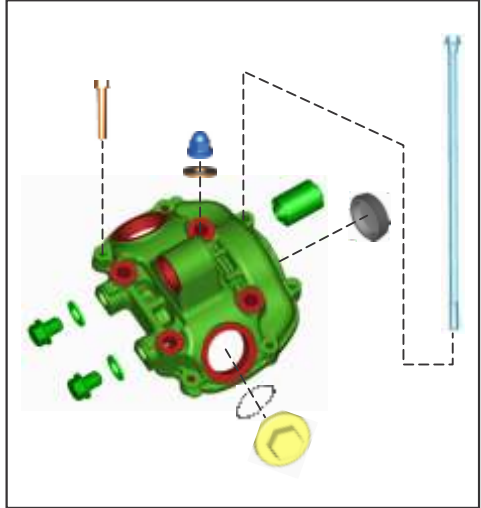
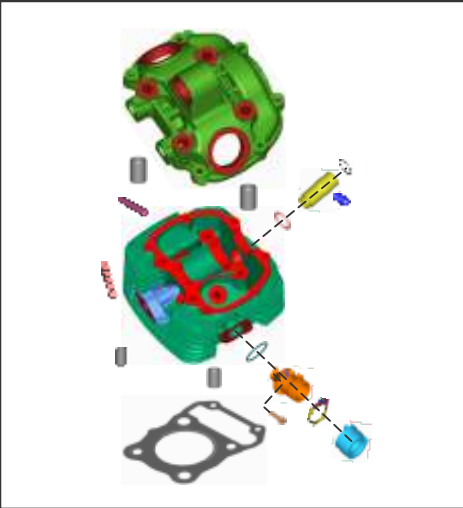
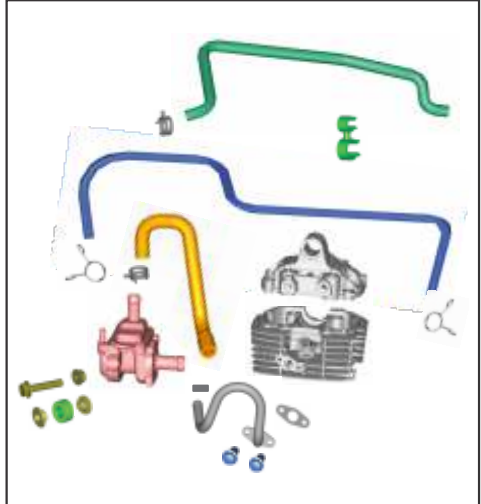
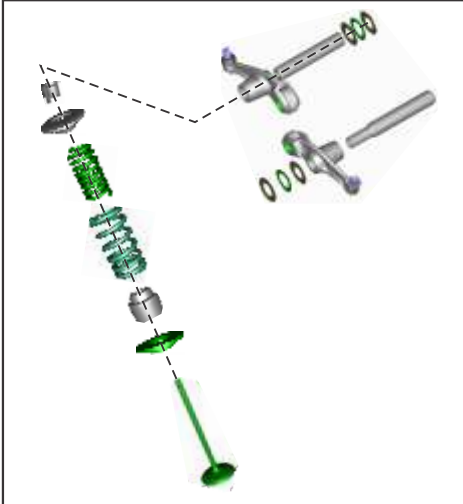
PLATE NO. : 1 COVER CYLINDER HEAD	PAGE NO. 1	PLATE NO. : 2 CYLINDER HEAD	PAGE NO. 3
			

PLATE NO. : 3 SAI System	PAGE NO. 5	PLATE NO. : 4 VALVE	PAGE NO. 7
			

# Pictorial Index

**AVENGER**  
150 STREET

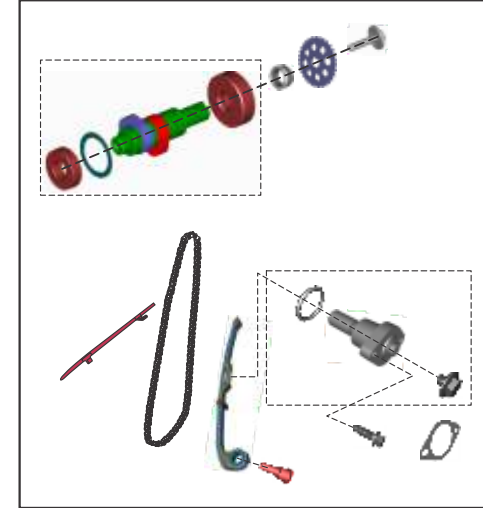
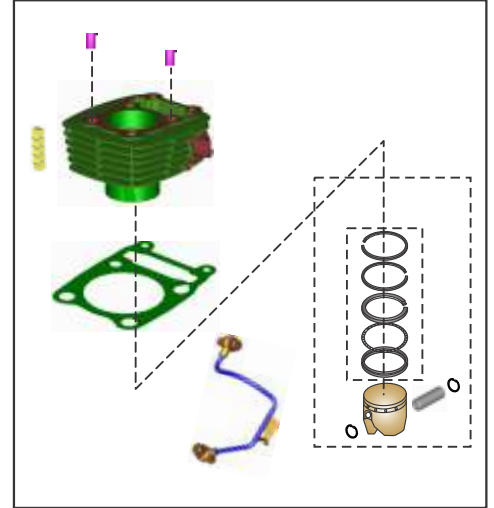
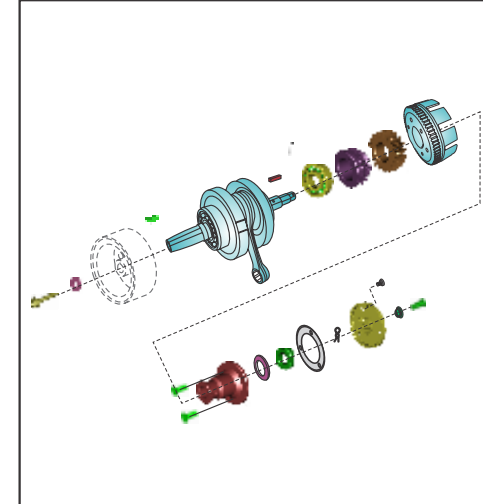
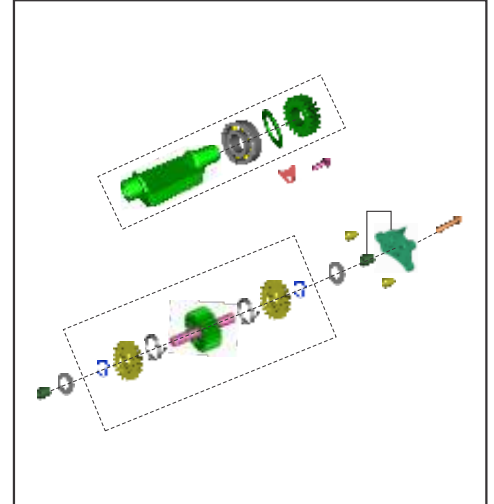
PLATE NO. : 5 CAMSHAFT / TENSIONER	PAGE NO. 9	PLATE NO. : 6 CYLINDER AND PISTON	PAGE NO. 11
			

PLATE NO. : 7 CRANKSHAFT	PAGE NO. 13	PLATE NO. : 8 BALANCER & BALANCER IDLER GEAR	PAGE NO. 15
			

# Pictorial Index

**AVENGER**  
150 STREET

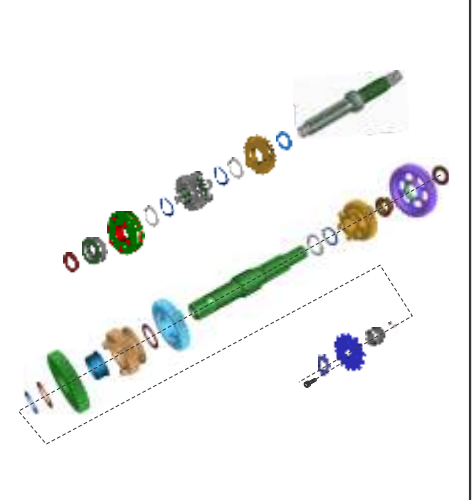

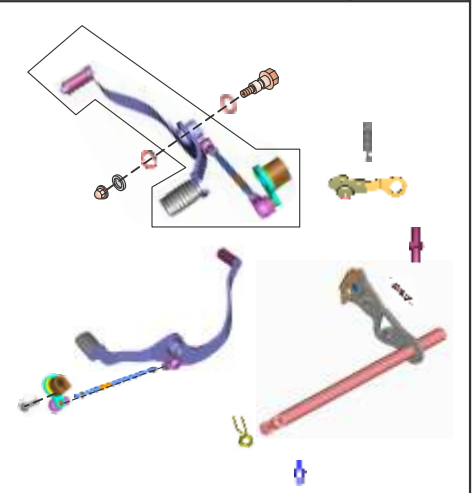
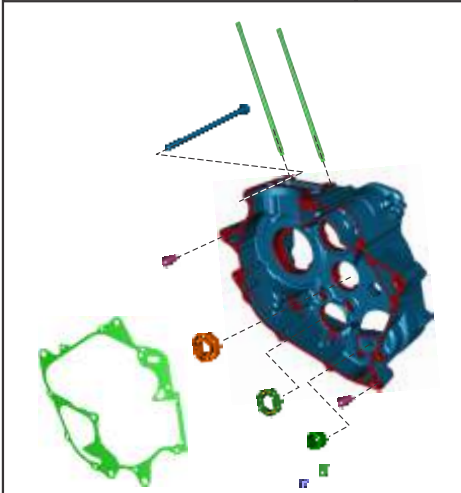
PLATE NO. : 9 TRANSMISSION	PAGE NO. 17	PLATE NO. : 10 CHANGE DRUM / SHIFT FORK	PAGE NO. 19
			

PLATE NO. : 11 GEAR CHANGE MECHANISM	PAGE NO. 21	PLATE NO. : 12 ENGINE ASSEMBLY & CRANKCASE RH	PAGE NO. 23
			

# Pictorial Index

**AVENGER**  
150 STREET

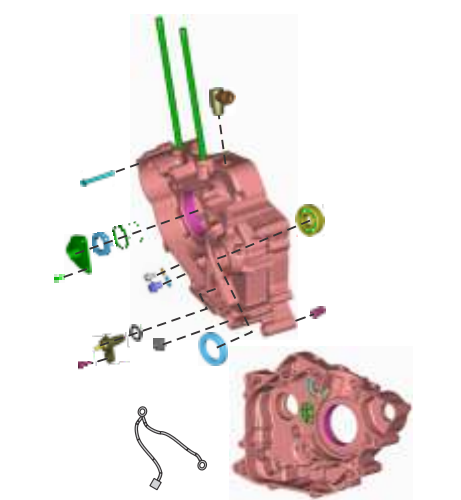
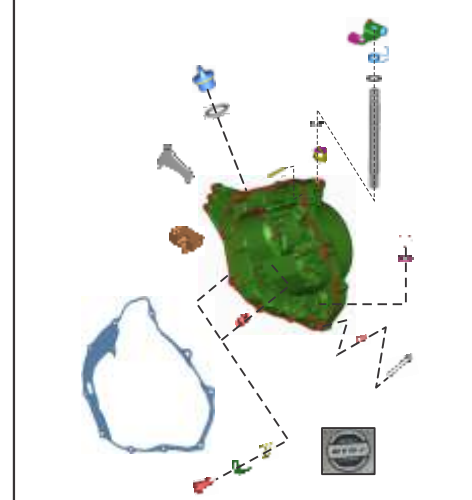

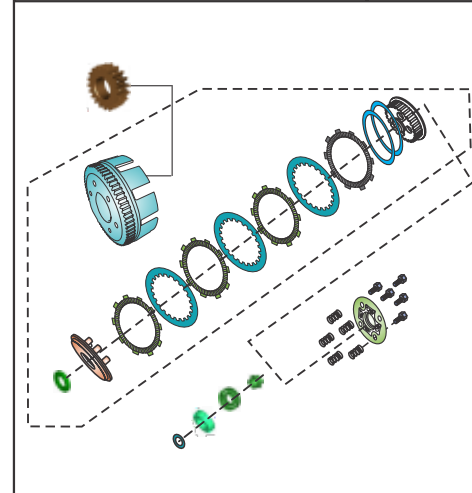
PLATE NO. : 13 CRANKCASE LH	PAGE NO. 25	PLATE NO. : 14 COVER CLUTCH	PAGE NO. 27
			

PLATE NO. : 15 COVER MAGNETO	PAGE NO. 29	PLATE NO. : 16 CLUTCH ASSEMBLY	PAGE NO. 31
			

# Pictorial Index

**AVENGER**  
150 STREET

PLATE NO. : 17 OIL PUMP	PAGE NO. 33
----------------------------	----------------

PLATE NO. : 18 CARBURETTOR	PAGE NO. 35
-------------------------------	----------------

PLATE NO. : 19 SILENCER ASSEMBLY	PAGE NO. 37
-------------------------------------	----------------

PLATE NO. : 20 AIR CLEANER	PAGE NO. 39
-------------------------------	----------------

# Pictorial Index

**AVENGER**  
150 STREET

PLATE NO. : 21 MAGNETO, CDI, SPARK PLUG & H.T. COIL	PAGE NO. 41
--	----------------

PLATE NO. : 22 STARTER MOTOR & STARTER ASSLY.	PAGE NO. 43
--	----------------

PLATE NO. : 23 FRAME & FRAME FITTING	PAGE NO. 45
---	----------------

PLATE NO. : 24 FRAME FITTING	PAGE NO. 47
---------------------------------	----------------

# Pictorial Index

**AVENGER**  
150 STREET

PLATE NO. : 25  
SWING ARM

PAGE NO.  
49

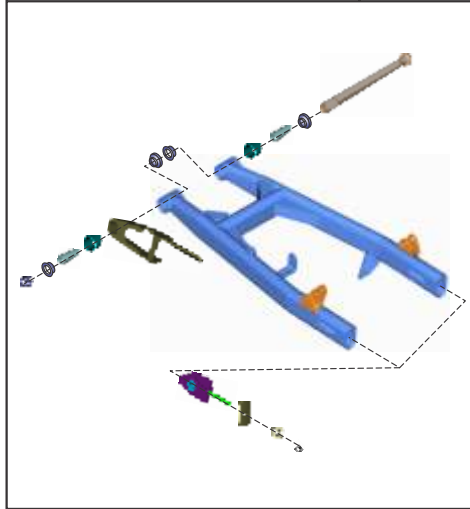


PLATE NO. : 26  
REAR SHOCK ABSORBER

PAGE NO.  
51

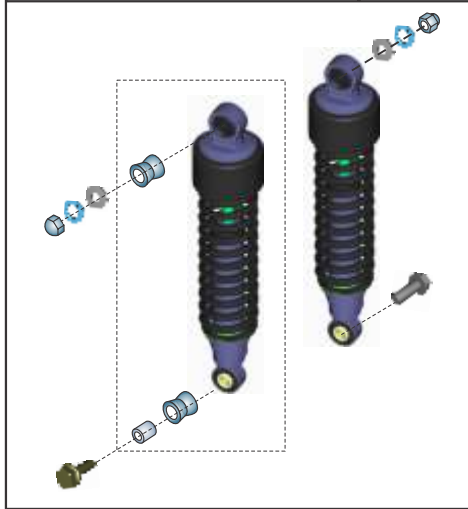


PLATE NO. : 27  
FOOT REST

PAGE NO.  
53

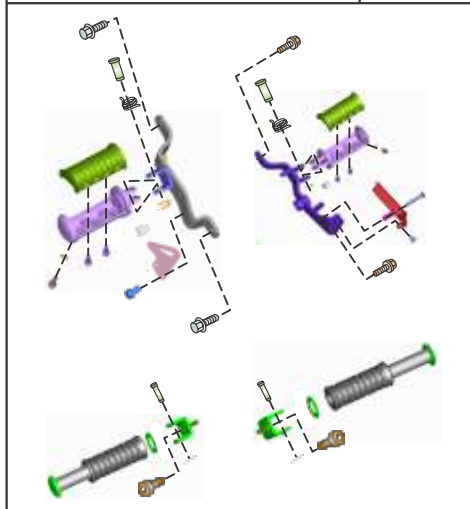
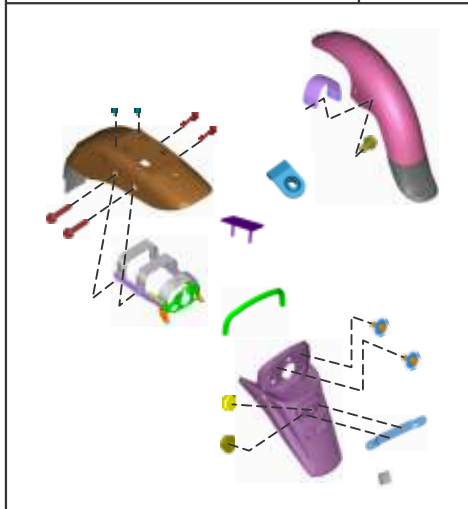


PLATE NO. : 28  
MUDGUARD - FRONT & REAR

PAGE NO.  
55



# Pictorial Index

**AVENGER**  
150 STREET

PLATE NO. : 29  
SIDE STAND & CENTER STAND ASSLY.

PAGE NO.  
57

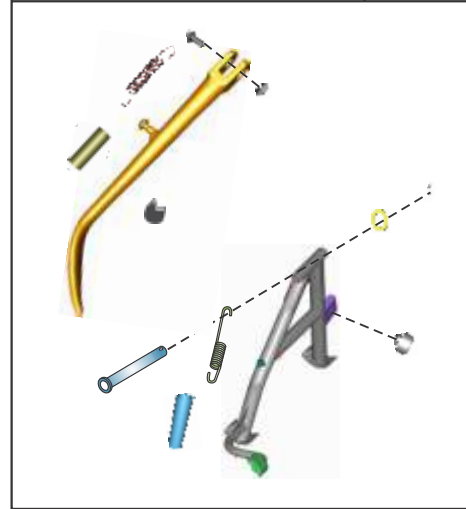


PLATE NO. : 30  
TYRE, TUBE & WHEEL RIM

PAGE NO.  
59



PLATE NO. : 31  
FRONT HUB

PAGE NO.  
61

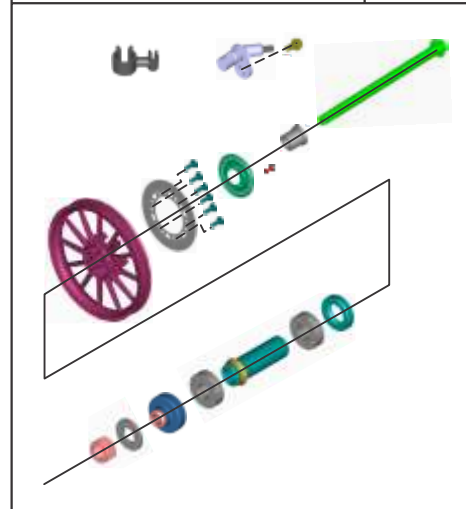
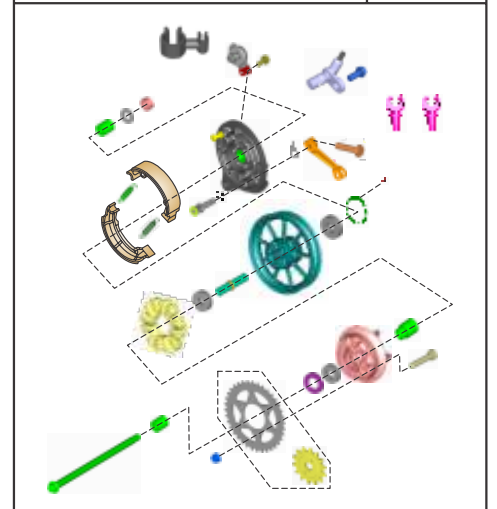


PLATE NO. : 32  
REAR HUB - ALLOY WHEEL

PAGE NO.  
63



# Pictorial Index

**AVENGER**  
150 STREET

PLATE NO. : 33  
REAR BRAKE PEDAL

PAGE NO.  
65



PLATE NO. : 34  
FRONT MASTER CYLINDER

PAGE NO.  
67

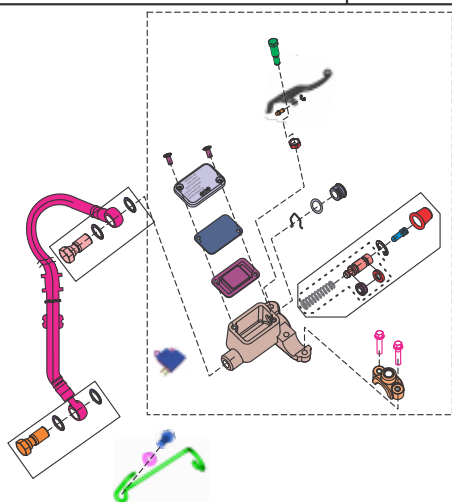
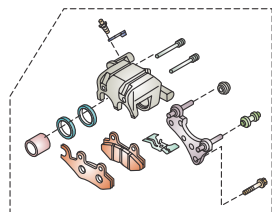


PLATE NO. : 35  
FRONT BRAKE - CALIPER & DISC

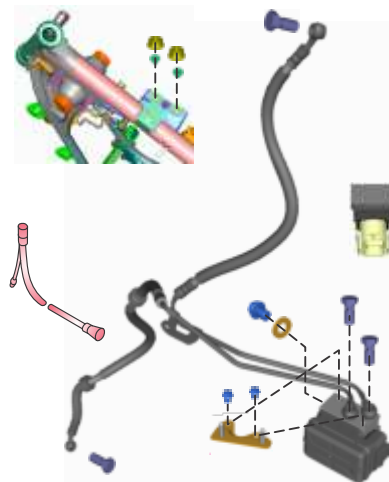
PAGE NO.  
69



- SEAL
- SCRAPER RING
- INSULATOR
- DUST COVER
- BLEEDER CAP
- PISTON
- BLEEDER SCREW

PLATE NO. : 36  
ANTI LOCK BRAKING SYSTEM (ABS)

PAGE NO.  
71



# Pictorial Index

**AVENGER**  
150 STREET

PLATE NO. : 36  
HANDLE BAR ASSEMBLY

PAGE NO.  
73-75

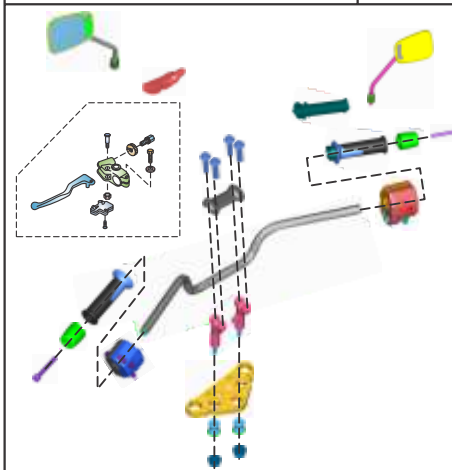


PLATE NO. : 37  
FRONT FORK

PAGE NO.  
77-79

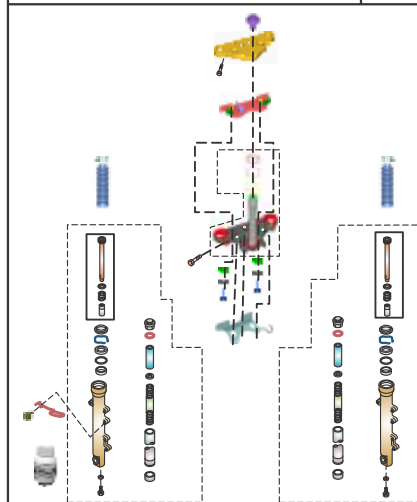


PLATE NO. : 38  
FUEL TANK

PAGE NO.  
81 - 83

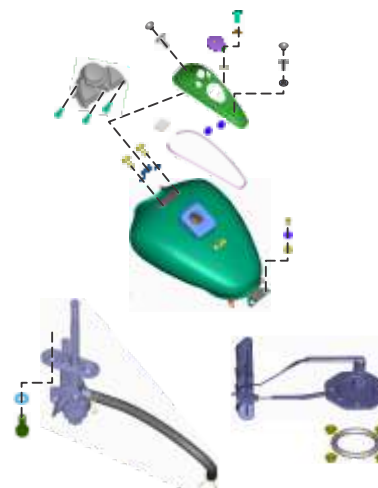
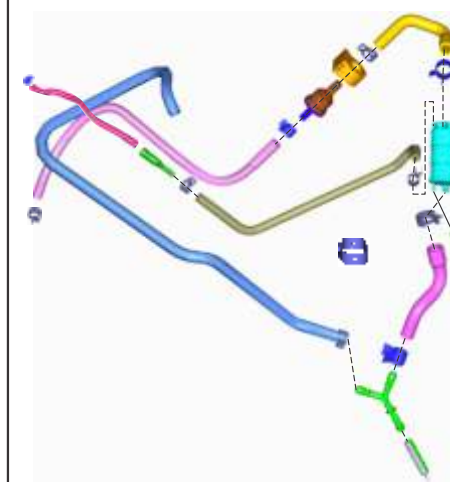


PLATE NO. : 39  
EVAP MECHANISM

PAGE NO.  
85



# Pictorial Index

**AVENGER**  
150 STREET

PLATE NO. : 40  
SEAT / GRIP FRAME REAR /  
COVER GRIP FRAME

PAGE NO.  
87

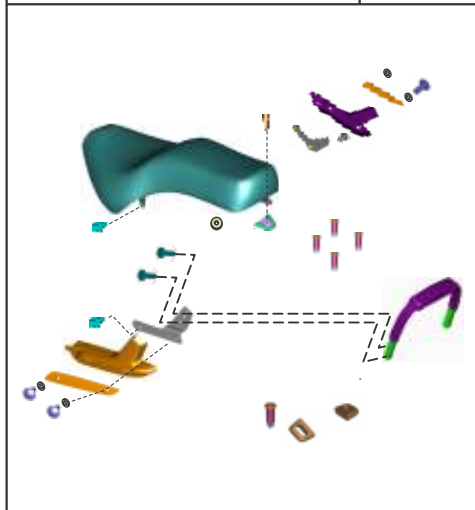


PLATE NO. : 41  
SPEEDOMETER

PAGE NO.  
89

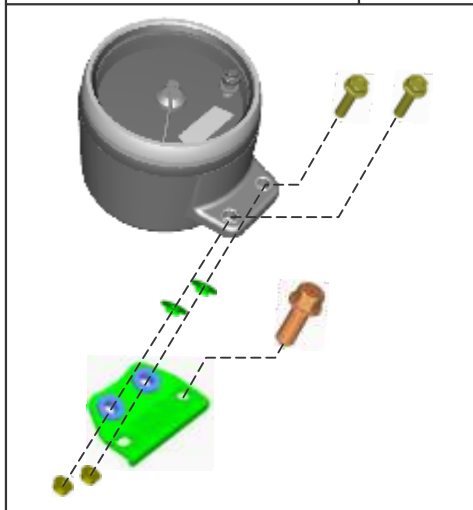


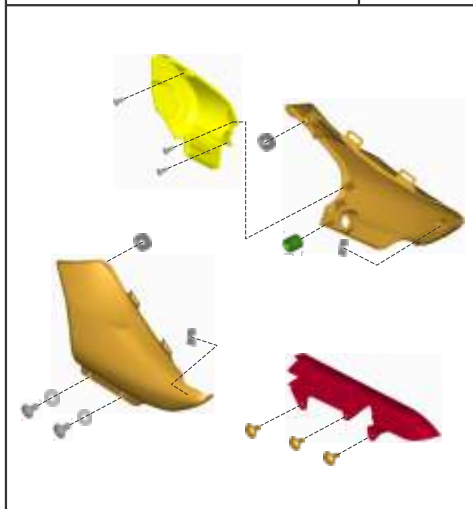
PLATE NO. : 42  
CABLES

PAGE NO.  
91



PLATE NO. : 43  
SIDE COVERS / CHAIN COVERS

PAGE NO.  
93



# Pictorial Index

**AVENGER**  
150 STREET

PLATE NO. : 44  
GUARDS

PAGE NO.  
95

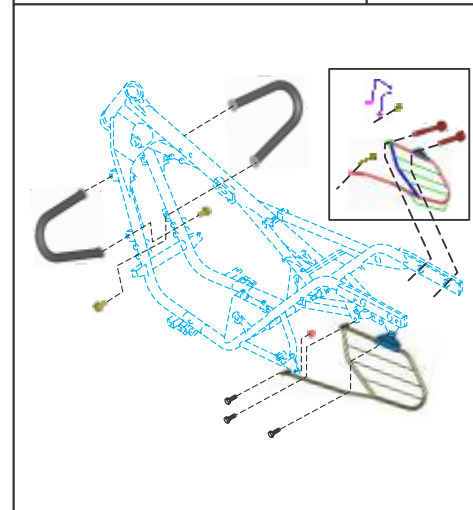


PLATE NO. : 45  
HEAD LIGHT

PAGE NO.  
97

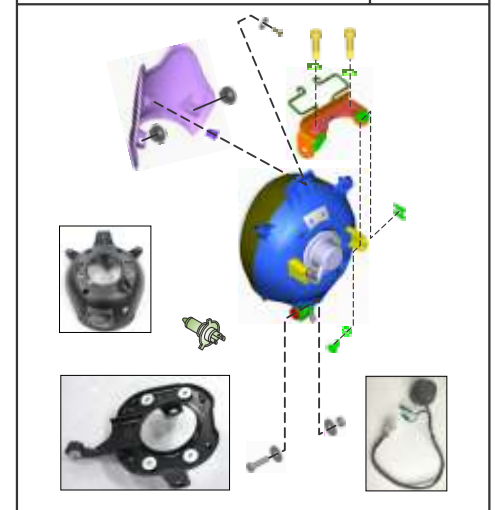


PLATE NO. : 46  
TAIL LIGHT / REFLECTOR REFLEX

PAGE NO.  
99

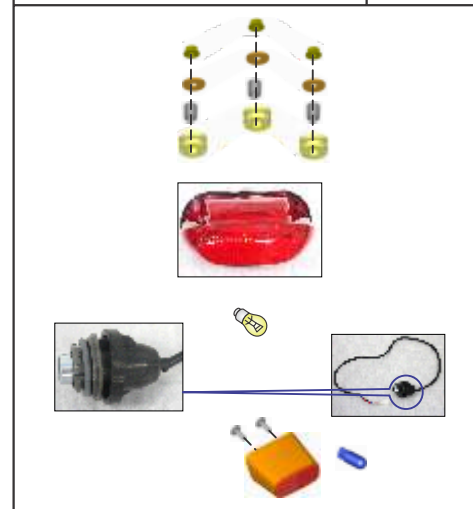
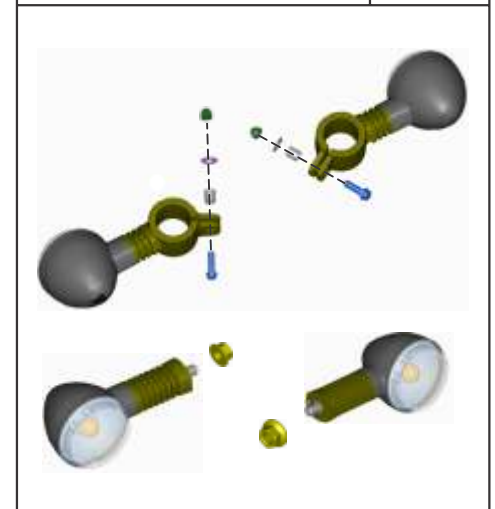


PLATE NO. : 47  
INDICATOR LIGHT

PAGE NO.  
101



# Pictorial Index

**AVENGER**  
150 STREET

PLATE NO. : 48 ELECTRICAL EQUIPMENT	PAGE NO. 103

PLATE NO. : 49 IGNITION SWITCH & CONTROL SWITCH	PAGE NO. 105

PLATE NO. : 50 TOOL KIT & WIND SHIELD KIT	PAGE NO. 107

PLATE NO. : 51 PAINTED PARTS AND DECALS	PAGE NO. 109

# Pictorial Index

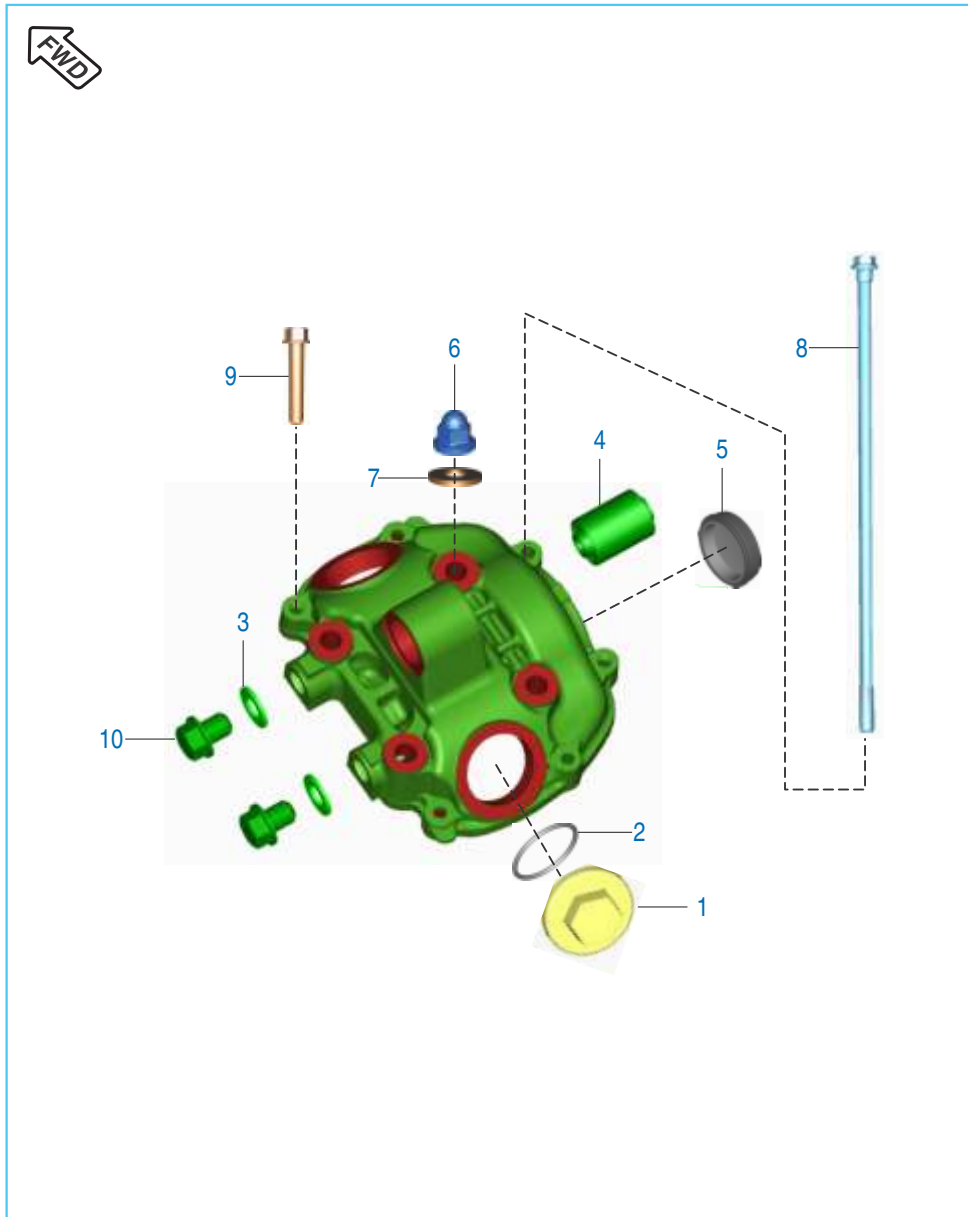
**AVENGER**  
150 STREET

PLATE NO. : 52 CONSUMABLE PARTS	PAGE NO. 111

PLATE NO. : 52 CONSUMABLE PARTS	PAGE NO. 113

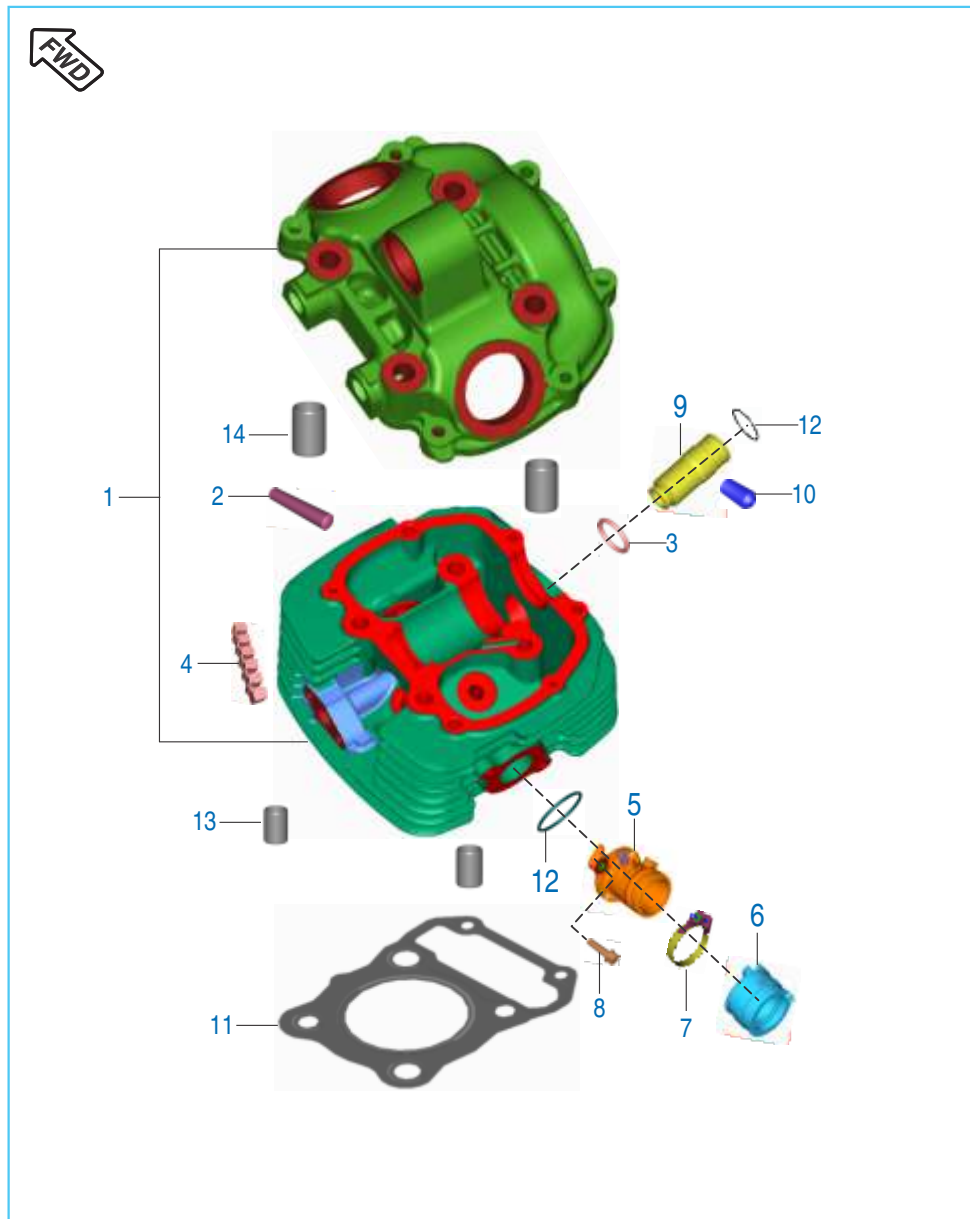


Cover Cylinder Head



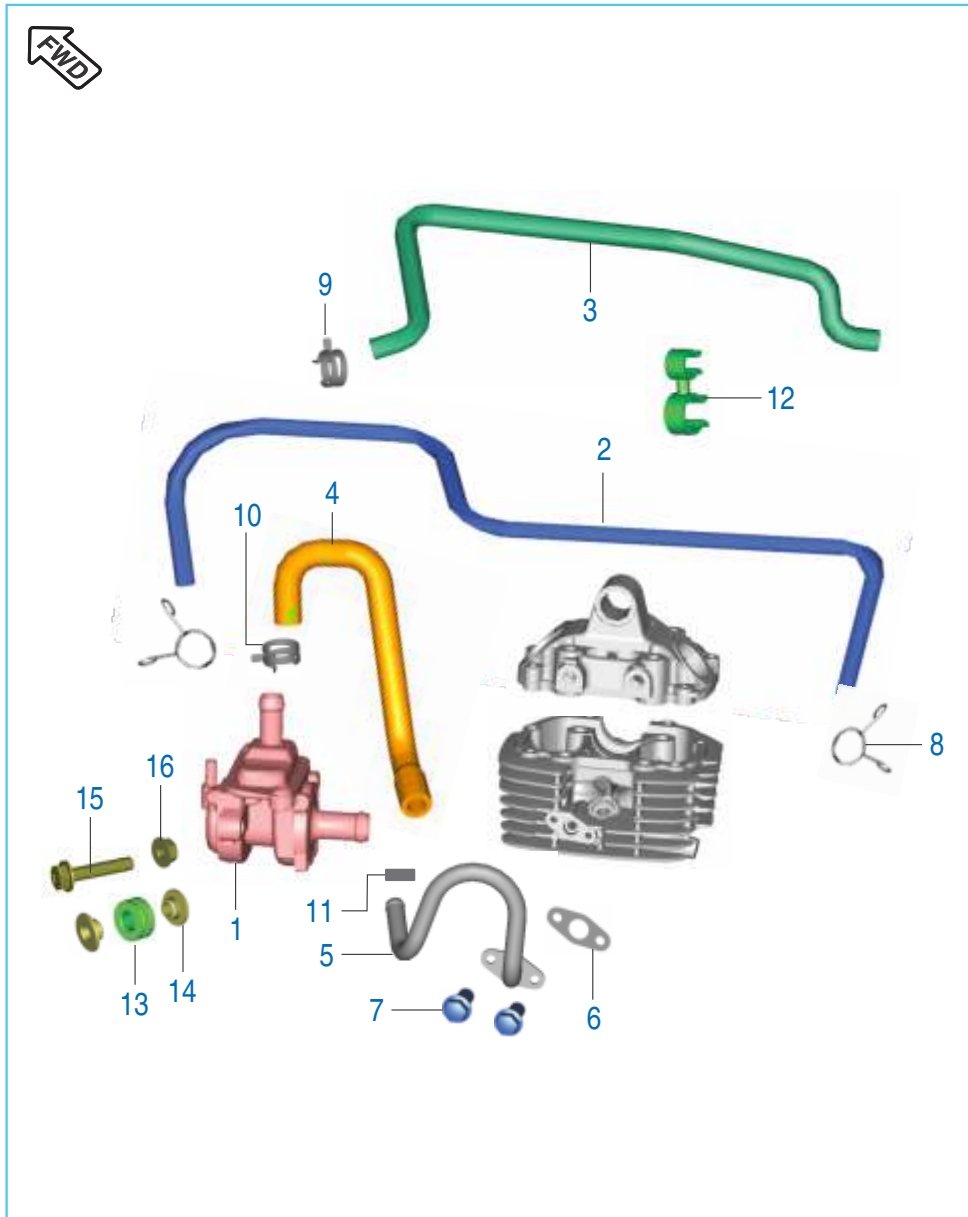
No.	Part No.	Description	Qty.	Remarks
1	PD 5110 25	Cover Tappet	2	
2	39 2391 21	'O' Ring	2	
3	DG 1014 98	Gasket (Washer)	2	
4	DS 1011 66	Silent Bush (V)	1	
5	DH 1022 01	Camshaft Cap	1	
6	39 2647 15	Domed Cap Nut	4	
7	DS 1010 84	Copper Gasket (Washer)	4	
8	39 2532 04	Hex hd bolt flange - M6	2	
9	KA ED06 35	Bolt flanged small	4	
10	PD 1138 22	Plug	2	

Cylinder Head



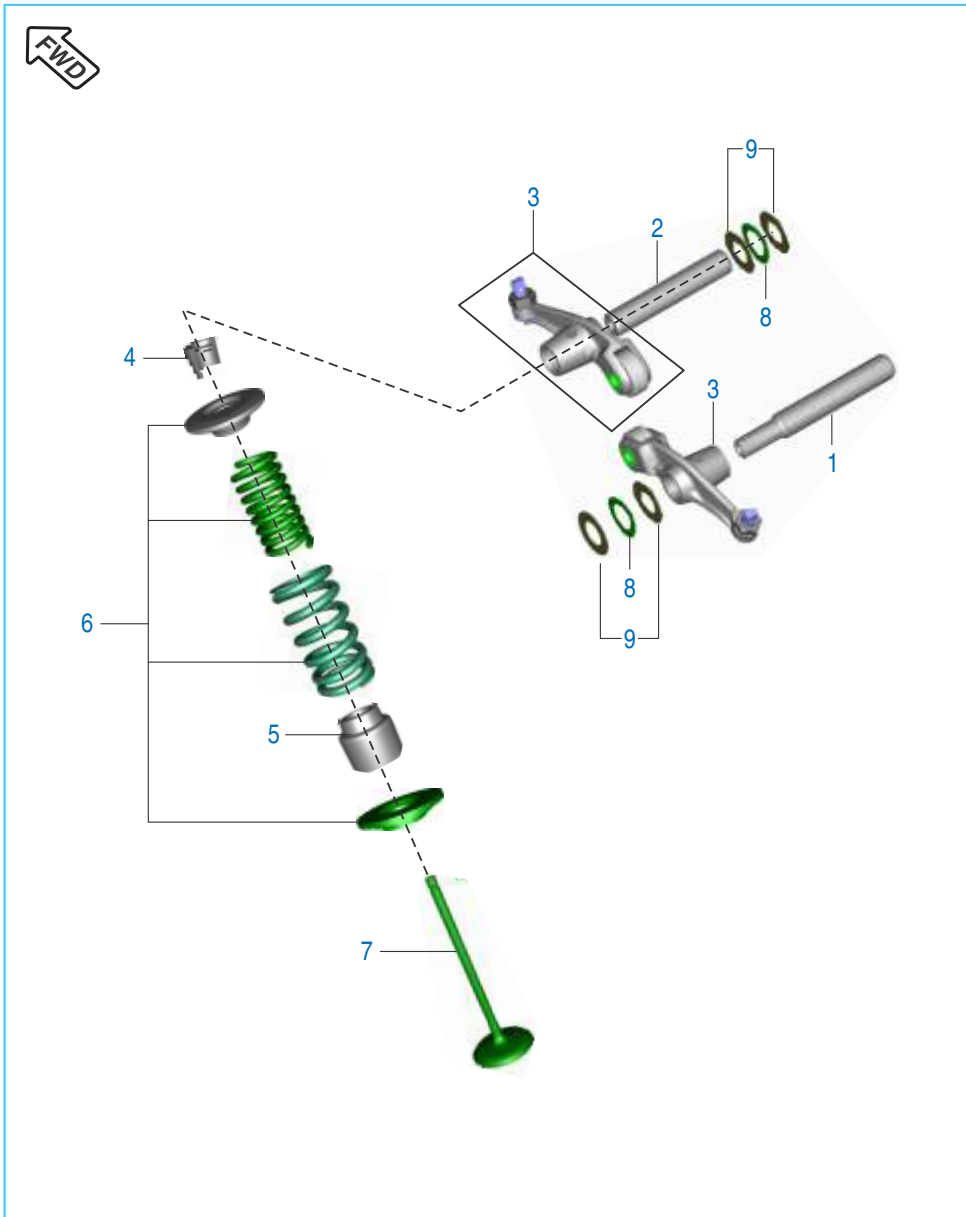
No.	Part No.	Description	Qty.	Remarks
1	PD 5110 73	Kit Head Cylinder with Cover	1	Refer Kit List
2	39 1660 05	Stud (Exhaust)	2	
3	KJ AC18 24	O Ring	1	
4	DH 1015 08	Damper Cylinder Head	5	
5	PD 5814 10	Assembly intake manifold	1	
6	DJ 1210 22	Carburettor insulator	1	
7	DH 1021 18	Clamp for Insulator	1	
8	KA ED06 25	Bolt flanged small	2	
9	DH 1023 29	Sleeve plug spark	1	
10	39 2608 01	Grub Screw	1	
11	DH 1016 80	Gasket cylinder head	1	
12	39 1283 21	'O' Ring	2	
13	39 2181 06	Hollow Dowel Pin	2	
14	39 0999 06	Hollow Dowel Pin	2	

SAI System



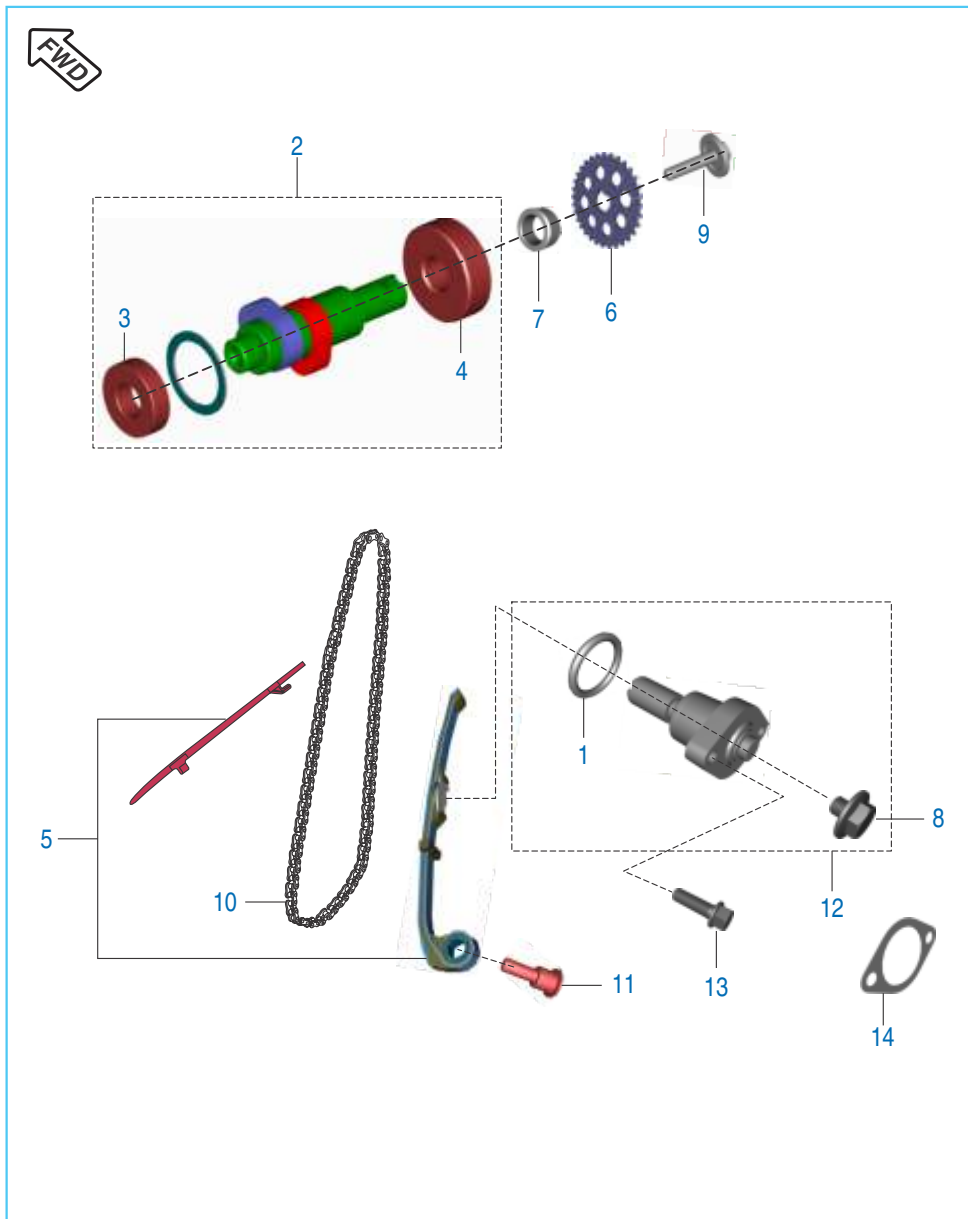
No.	Part No.	Description	Qty.	Remarks
1	PD 5822 00	SAI Unit	1	
2	PD 5824 00	Hose SAI unit to intake manifold	1	
3	PD 5824 01	Hose SAI Unit To Air Filter	1	
4	PD 5824 02	Hose SAI Unit To SAI Pipe	1	
5	DH 1021 74	Metal Pipe SAI	1	
6	DH 1021 80	Gasket Metal Pipe	1	
7	KA EG06 14	Flanged Bolt	2	
8	33 1410 08	Clamp	2	
9	JE 5810 39	Band Clip	1	
10	JL 5810 66	Clamp SAI Pipe	1	
11	JL 5810 65	Clamp	1	
12	AA 1410 67	Clip Swivel Spacer	1	
13	JD 1138 14	Grommet SAI Unit	2	
14	JP 1812 80	Collar head lamp holder Mtg.	4	
15	KA DF06 30	Bolt	2	
16	KC GF06 06	Nut	2	

Valve



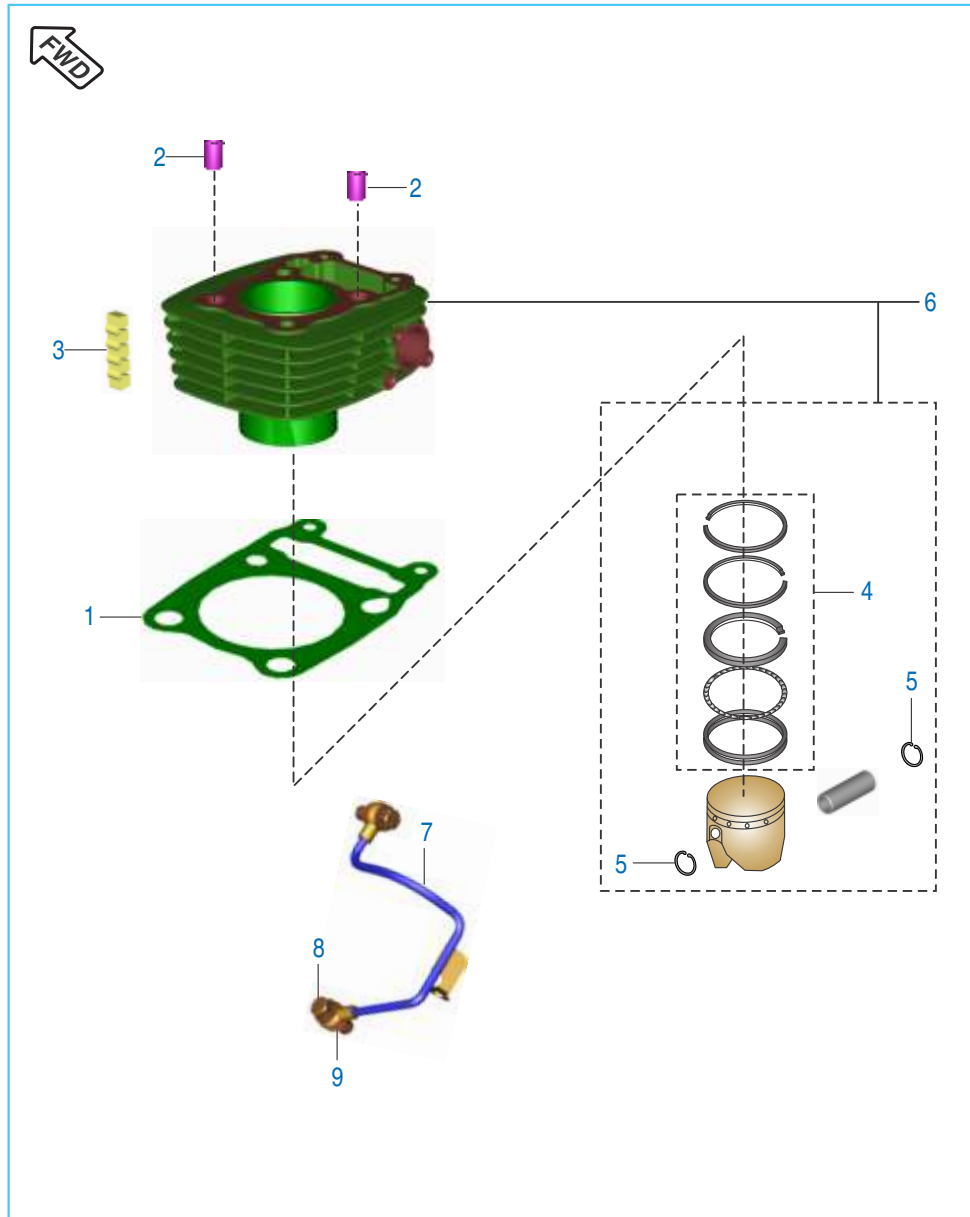
No.	Part No.	Description	Qty.	Remarks
1	DK 1017 48	Rocker Arm Shaft - Intake	1	
2	DK 1017 51	Rocker Arm Shaft - Exhaust	1	
3	DK 1017 55	Rocker Arm Assembly	2	
4	DG 1010 29	Cotter valve	4	
5	JU 5112 14	Seal stem valve	2	
6	DK 1013 26	Valve Repair Kit	1	Refer Kit List
7	36 DJ10 04	Valve Kit	1	Refer Page No. 105
8	DH 1012 95	Wave washer	2	
9	39 2440 11	Plain washer	4	

Camshaft / Tensioner



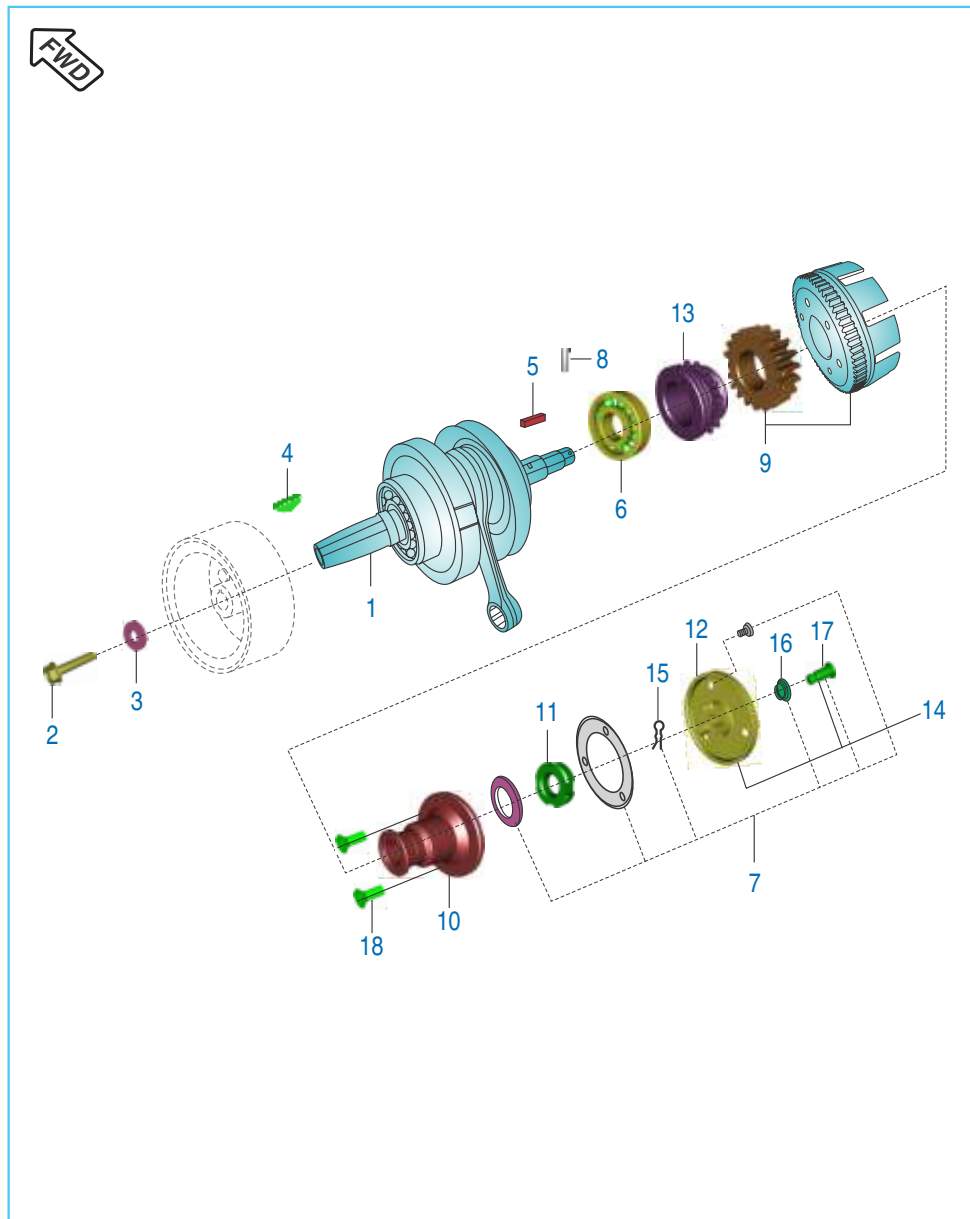
No.	Part No.	Description	Qty.	Remarks
1	39 2669 21	Ring 'O' Tension assembly	1	
2	DH 1019 28	Camshaft assembly complete	1	
3	JC 1010 85	Bearing ball 6002 / C3H	1	
4	JC 1010 86	Bearing ballL 6302 RS1/C3H	1	
5	36 DH40 30	Kit chain guide	1	Refer Kit List
6	PD 5112 29	Sprocket cam Driven	1	
7	DH 1014 12	Collar cam Sprocket	1	
8	DD 1010 62	Bolt	1	
9	DH 1021 25	Bolt special camshaft	1	
10	JC 1010 35	Cam Chain	1	
11	DH 1013 92	Cam chain Tensioner pivot Bolt	1	
12	JC 1010 34	Tensioner Assly	1	
13	KA ED06 20	Hex Bolt / Flange	2	
14	CS 1011 28	Tensioner assly. gasket	1	

Block Cylinder and Piston



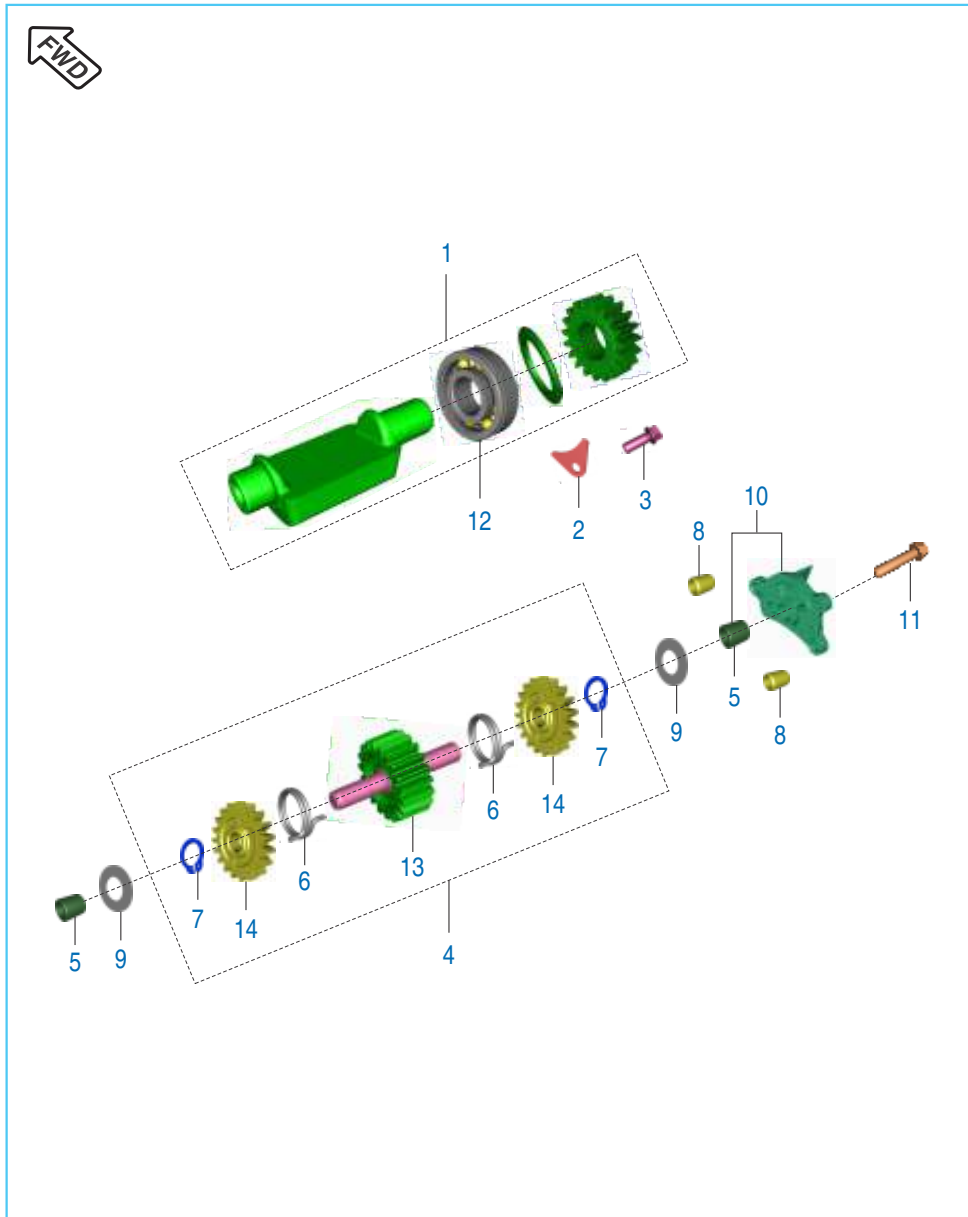
No.	Part No.	Description	Qty.	Remarks
1	DK 1010 63	Gasket Cylinder Block	1	
2	39 2181 06	Pin dowel	4	
3	DH 1014 14	Damper	6	
4	36 PD00 96	Ring Set Piston	1	Refer Kit List
5	DH 1016 71	Ring Snap	2	
6	36 PD00 99	Kit Cylinder Block & Piston Assly.	1	
7	DK 1015 92	Oil cooler pipe	1	
8	DD 1210 07	Bolt special	2	
9	31 1210 06	Washer copper (Gasket)	4	

Crankshaft



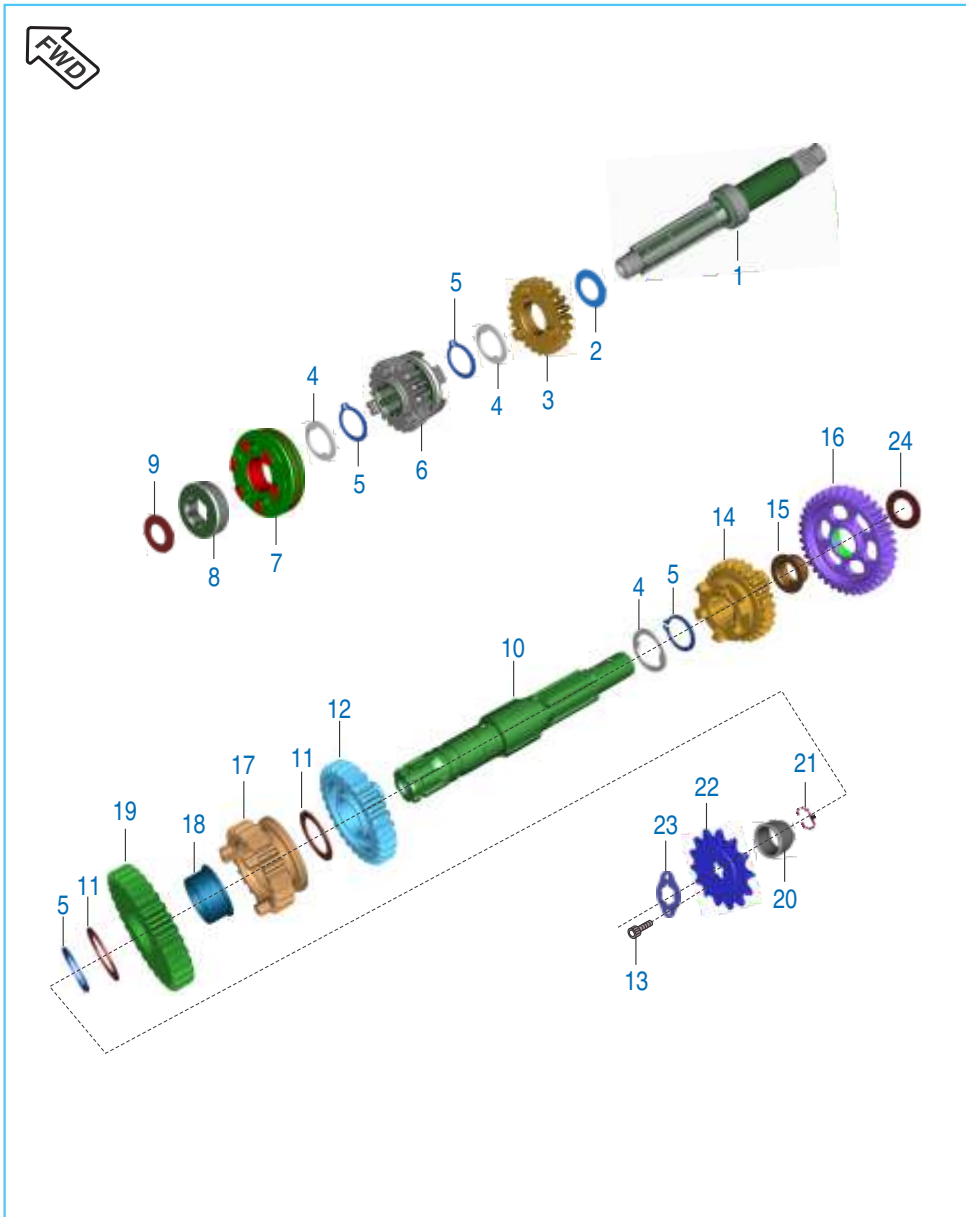
No.	Part No.	Description	Qty.	Remarks
1	DH 1022 20	Assembly crankshaft	1	
2	DH 1013 96	Bolt	1	
3	39 2165 11	Plain washer	1	
4	31 1011 73	Key woodruff	1	
5	DS 1011 54	Parallel key	1	
6	39 1931 20	Bearing Ball	2	
7	36 DH40 19	Kit centrifugal oil filter	1	Refer Kit List
8	39 2203 07	Parallel pin	1	
9	36 DK00 38	Kit Gear Primary Drive & Driven	1	Refer Kit List
10	DH 1010 64	Body centrifugal oil filter	1	
11	DH 1011 95	Nut primary drive	1	
12	DH 1010 65	Cover centrifugal oil filter	1	
13	PD 5310 29	Sprocket Camshaft Drive	1	
14	DH 1013 55	Cover comp centrifgal oil filter	1	
15	39 2199 08	Pin snap	1	
16	DH 1010 67	Spring oil delivery B	1	
17	DH 1010 66	Joint oil delivery B	1	
18	DH 1016 40	Screw CSK RD Cross - M5	3	

Balancer & Balancer Idler Gear



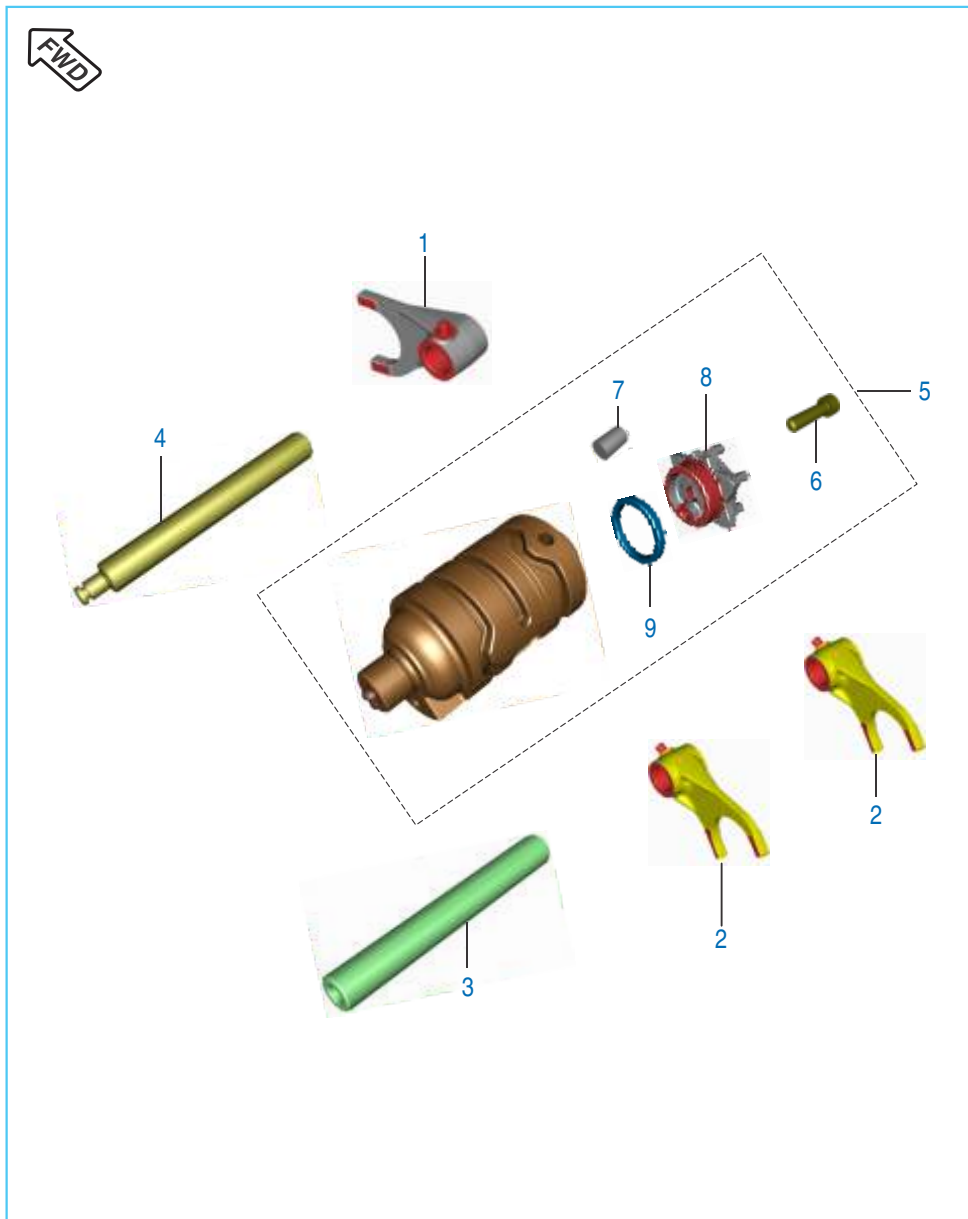
No.	Part No.	Description	Qty.	Remarks
1	DH 1021 04	Balancer assembly	1	
2	DH 1010 72	Bearing stopper	1	
3	DH 1013 85	Bolt stopper	1	
4	DH 1020 53	Gear Complete Balancer Idler	1	
5	39 2152 20	Needle roller bearing	2	
6	DH 1014 24	Spring torsion Balancer	2	
7	KE AB10 10	Circlip external	2	
8	39 1686 06	Dowel Pin	2	
9	39 1620 11	Spring steel washer (Plain Washer)	2	
10	52 DH01 77	Balancer Idler Holder	1	
11	KA ED06 25	Bolt flanged small	3	
12	59 2000 28	Bearing Balancer	1	
13	DH 1020 52	Assembly balancer idler gear	1	
14	DH 1013 73	Scissor balancer idler nylon gear	2	

Transmission



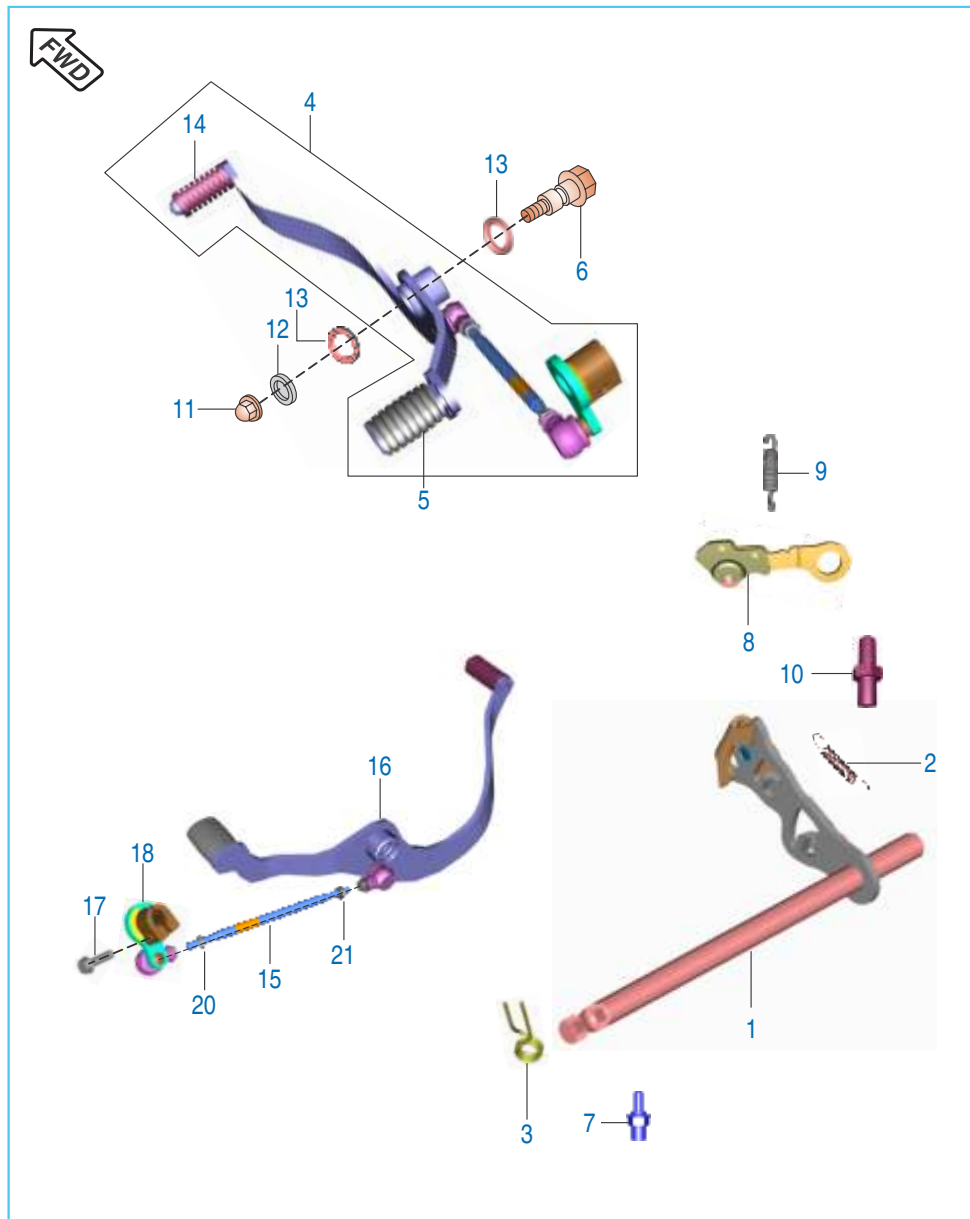
No.	Part No.	Description	Qty.	Remarks
1	DH 1025 08	Shaft assembly input	1	
2	39 2158 11	Washer plain	1	
3	DH 1010 78	Gear 4th Drive	1	
4	DH 1010 79	Washer Spline	3	
5	DH 1012 35	External Circlip	4	
6	DH 1010 80	Gear 3rd Drive	1	
7	DH 1025 11	Gear 5th drive	1	
8	DH 1020 13	Gear 2nd drive	1	
9	39 2160 11	Plain washer	1	
10	DK 1011 44	Shaft Output Trans Sub Assly	1	
11	DH 1013 36	Washer special	2	
12	DH 1011 08	Gear 3rd Driven	1	
13	AA 1014 37	Bolt flanged small	2	
14	DH 1011 10	Gear 4th Driven	1	
15	DH 1011 11	Bush 1st driven	1	
16	DH 1025 13	Gear 1st driven	1	
17	DH 1025 14	Gear 5th Driven	1	
18	DH 1013 19	Bush 2nd driven	1	
19	DH 1020 22	Gear 2nd Driven	1	
20	DK 1012 45	Collar Sprocket	1	
21	DK 1013 52	'O' Ring Sprocket Collar	1	
22	DV 1010 48	Sprocket Drive	1	
23	DJ 1013 12	Plate Drive Sprocket	1	
24	39 2159 11	Plain washer	1	

Change Drum / Shift Fork



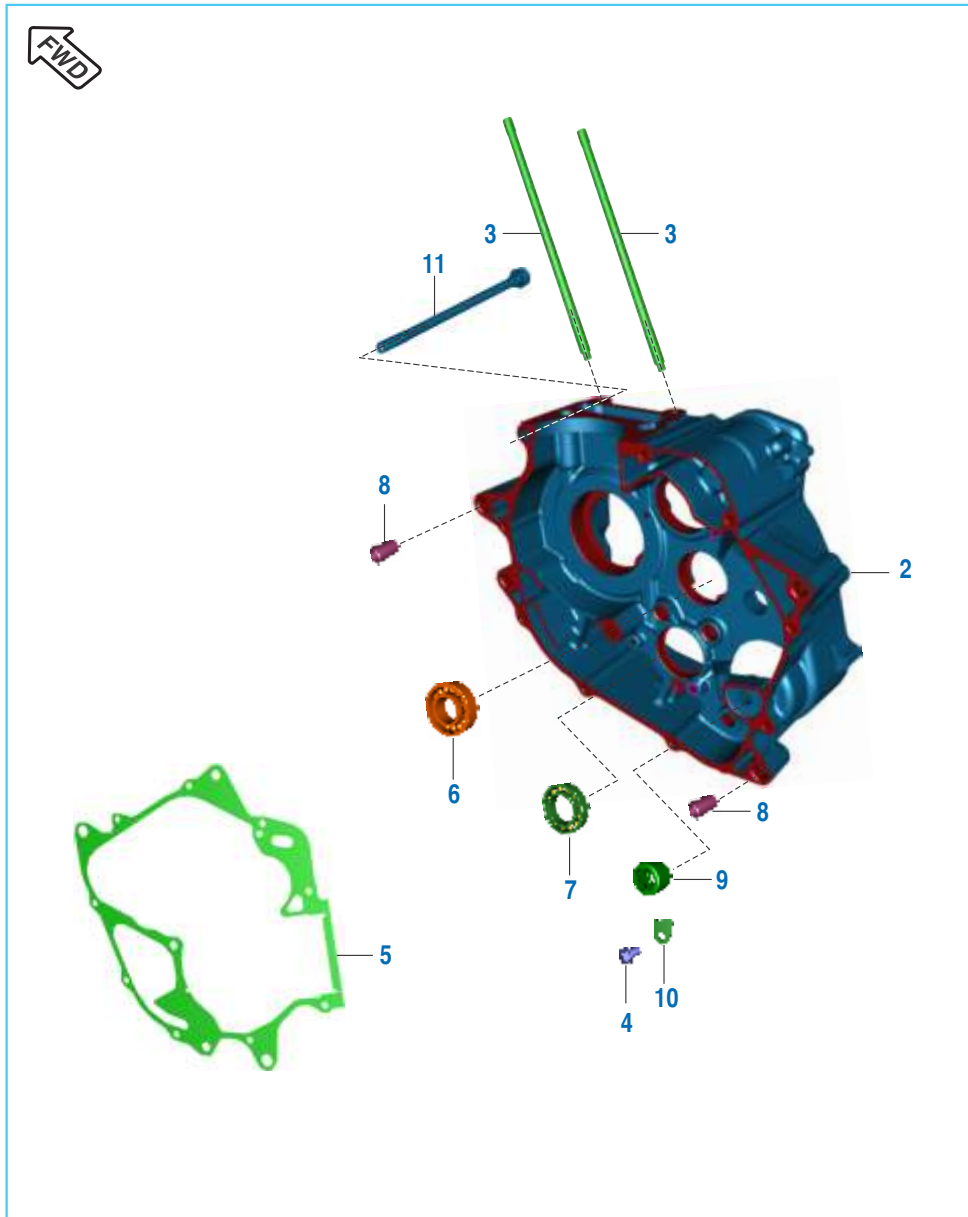
No.	Part No.	Description	Qty.	Remarks
1	DK 1011 59	Fork Gear Shift Input	1	
2	DK 1011 60	Fork Gear Shift output	2	
3	DH 1011 46	Shaft Gear Shift Fork	1	
4	DH 1014 93	Shaft Gear Shift Fork	1	
5	DK 1017 32	Assly Drum Comp. Gear Shift	1	
6	DH 1013 89	Bolt Socket - M6	1	
7	39 2606 07	Parallel pin	1	
8	DH 1021 89	Guide Gear Shifter	1	
9	DH 1014 96	Spacer	1	

Gear Change Mechanism



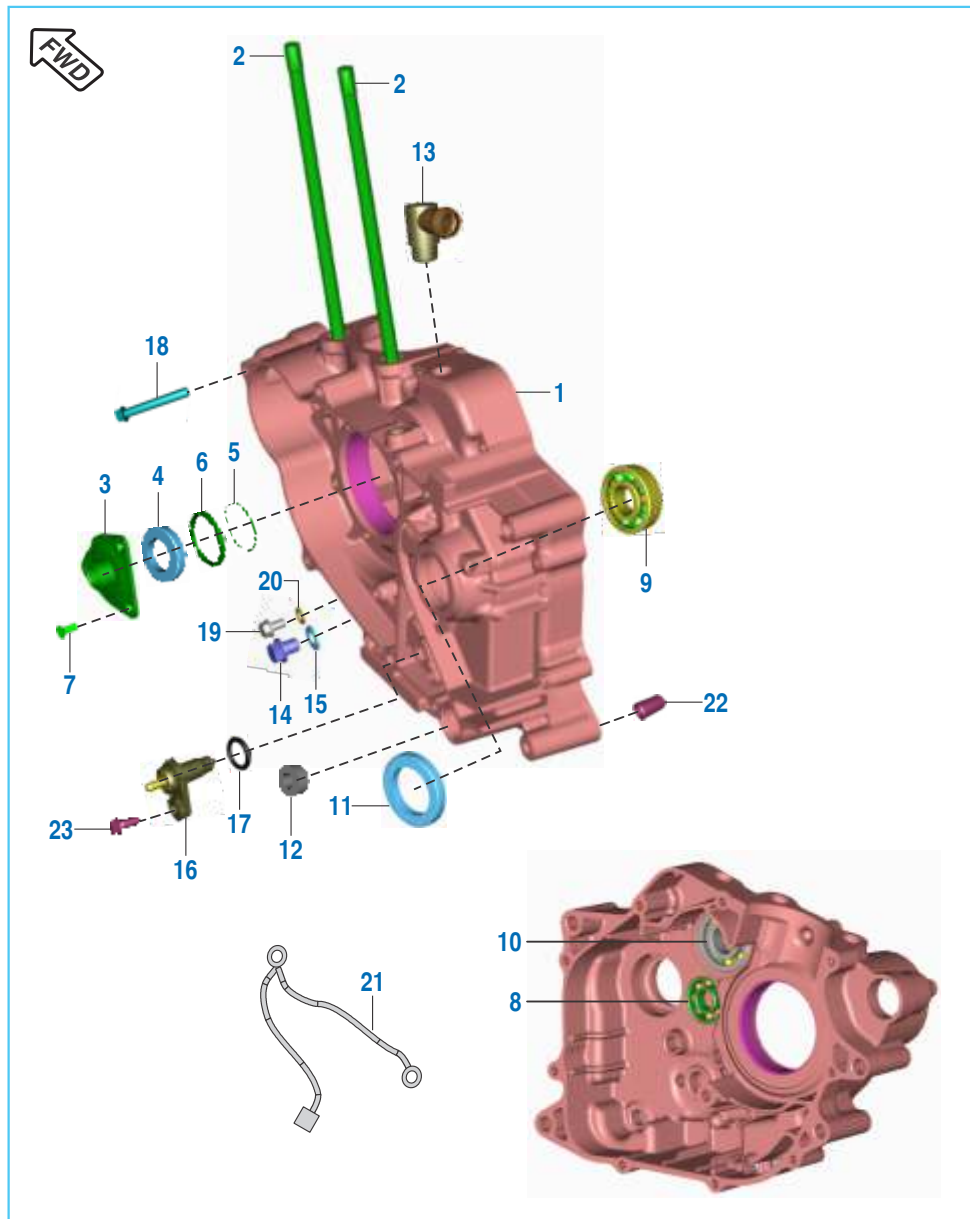
No.	Part No.	Description	Qty.	Remarks
1	DK 1017 33	Assembly lever shaft	1	
2	DH 1017 14	Spring Gear Shift	1	
3	DK 1017 22	Spring shift return	1	
4	PD 5612 52	Assembly lever gear change	1	
5	DG 1013 39	Damper change pedal (Rear)	1	
6	DG 1011 87	Bolt Pivot lever	1	
7	DH 1013 93	Bolt Gear Shift drum Stopper	1	
8	DK 1017 25	Stopper Drum	1	
9	DV 1010 45	Spring gear shifter drum stopper	1	
10	DH 1013 94	Bolt shift change pre coated	1	
11	39 2228 15	Domed cap Nut	1	
12	39 2400 11	Washer	1	
13	39 1998 19	Oil Seal	2	
14	31 1011 08	Damper	1	
15	DV 1010 34	Rod assly. Tie	1	
16	DV 1010 39	Lever comp. change	1	
17	KA DD06 22	Bolt flanged	1	
18	JM 1000 03	Lever change arm complete	1	
19	JM 1000 02	Arm assembly change	1	
20	39 1999 15	Nut - M6	1	
21	KC AD06 05	Nut hex thick	1	

Engine Assembly & Crankcase RH



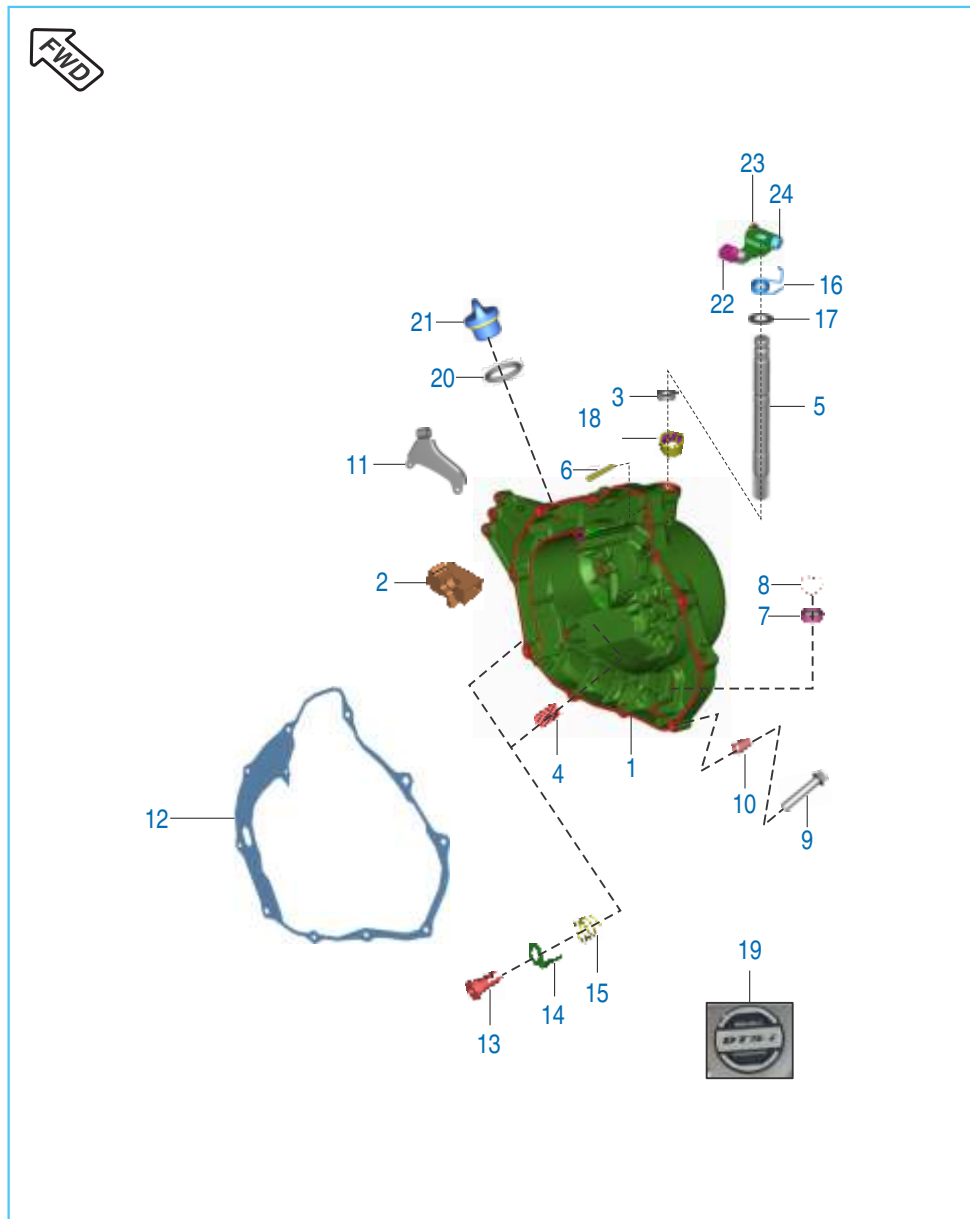
No.	Part No.	Description	Qty.	Remarks
1	PD 5010 63	Engine Assembly	1	
2	36 PD00 14	Kit Assembly Crankcase RH	1	Refer Kit List
3	59 0500 08	Stud - M10 (Bolt stud cyl.)	2	
4	AA 1014 37	Bolt flanged small	1	
5	DH 1018 96	Gasket Crankcase	1	
6	KP AF60 04	Bearing ball - ORD Clearance & HN3	1	(For Input shaft)
7	39 2601 20	Bearing Ball (For Output shaft)	1	
8	39 2180 06	Dowel Pin	2	
9	59 2000 27	NRB (Bearing NRB NK)	1	
10	DH 1014 87	Plate Stopper	1	
11	39 1845 04	Hex. Bolt with flange	1	

Crankcase LH



No.	Part No.	Description	Qty.	Remarks
1	36 PD00 13	Kit assembly crankcase LH	1	Refer Kit List
2	59 0500 08	Stud - M10 (Bolt stud cyl.)	2	
3	DK 1018 87	Guide gear starter	1	
4	39 2188 19	Oil Seal	1	
5	59 2100 06	'O' Ring	1	
6	DK 1010 97	Damper	1	
7	DH 1013 79	Screw CSK M6 x 16	3	
8	39 2603 20	Bearing Ball (For Input shaft)	1	
9	59 2000 06	Bearing Ball (For Output shaft)	1	
10	59 2000 29	Bearing ball balancer LH 20*47*14 6204	1	
11	DG 1014 56	Oil Seal (For Output shaft)	1	
12	39 2190 19	Oil Seal (For Shift lever)	1	
13	DH 1012 03	Breather pipe fitting	1	
14	DU 1012 23	Plug drain magnetic	1	
15	DG 1014 98	Washer (Gasket For Drain Bolt)	1	
16	DK 1013 80	Switch comp. (Neutral)	1	
17	KJ AB10 19	'O' ring	1	
18	KA ED06 45	Bolt flanged small	8	
19	DH 1013 90	Bolt flanged - M8	1	
20	39 2448 11	Plain Washer	1	
21	PD 4022 13	Cable battery earth	1	
22	39 2180 06	Hallow dowel pin	2	
23	DH 1013 85	Bolt M6X16 (Neutral Switch)	1	

Cover Clutch



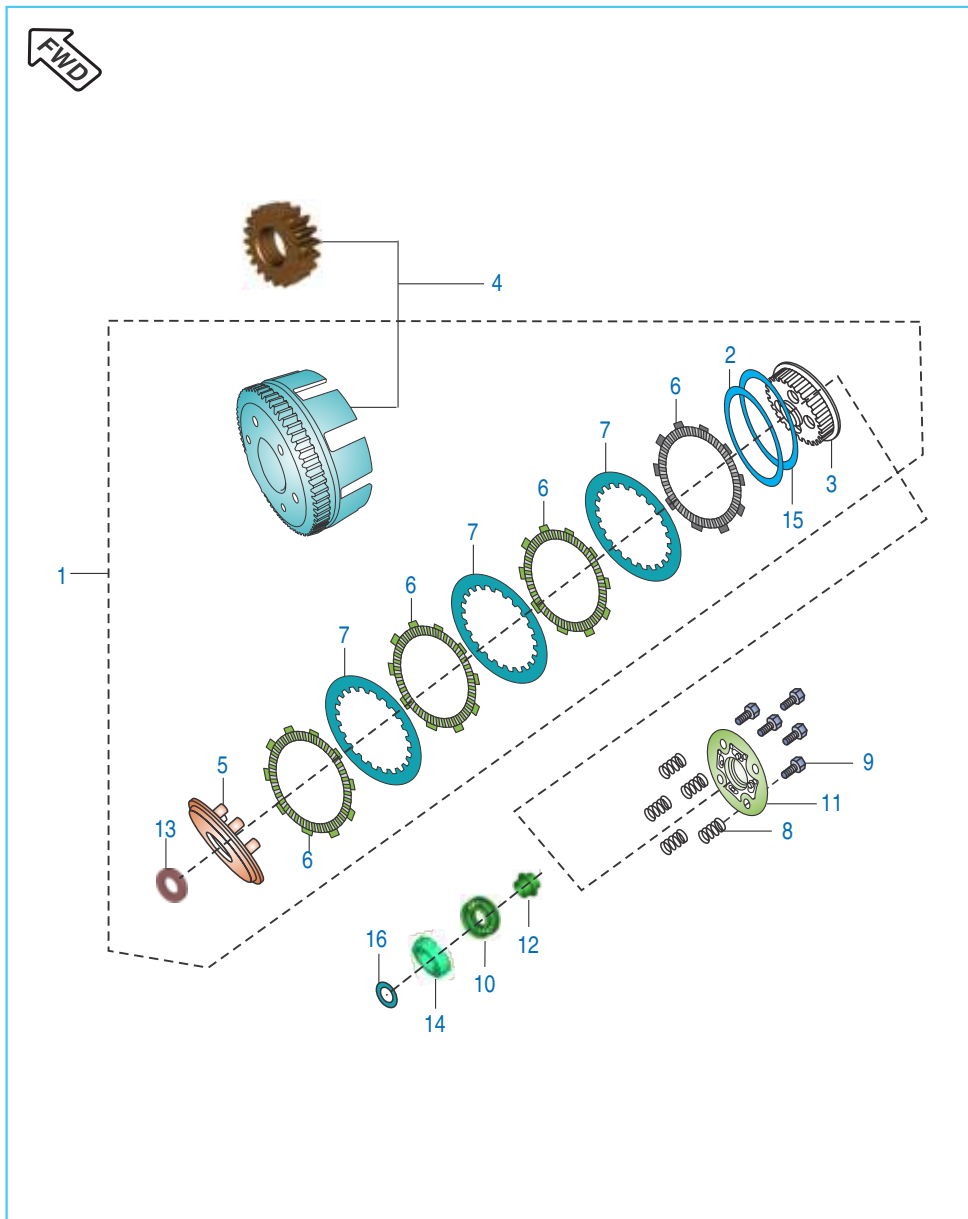
No.	Part No.	Description	Qty.	Remarks
1	36 DJ40 17	Kit assembly clutch cover	1	Refer Kit List
2	DH 1011 97	Grommet Breather	1	
3	39 1041 19	Oil Seal	1	
4	DH 1011 41	Rack	1	
5	DH 1011 42	Shaft clutch release	1	
6	DK 1012 51	Parallel pin	1	
7	DG 1014 18	Gauge	1	
8	DS 1012 15	Wire circlip	1	
9	LA E000 18	Bolt flanged - M6	10	
10	39 0999 06	Pin Dowel	2	
11	DH 1010 18	Bracket Clutch Cable	1	
12	DH 1011 54	Gasket cover RH	1	
13	DK 1014 80	Plunger Oil	1	
14	DH 1210 11	Plate Plunger Oil	1	
15	DH 1210 12	Spring Joint 'A'	1	
16	DH 1015 44	Spring torsion clutch lever	1	
17	JE 5412 13	Washer plain	1	
18	39 1990 20	NRB (Bering Needle)	2	
19	DK 1017 38	Decal Clutch Cover	1	
20	DH 1011 52	O - ring oil level gauge	1	
21	DS 1010 71	Cap oil filler	1	
22	PD 5412 79	Lever assembly clutch	1	
23	DH 1012 75	Nut	1	
24	KA ED06 25	Bolt flanged small	1	

Cover Magneto



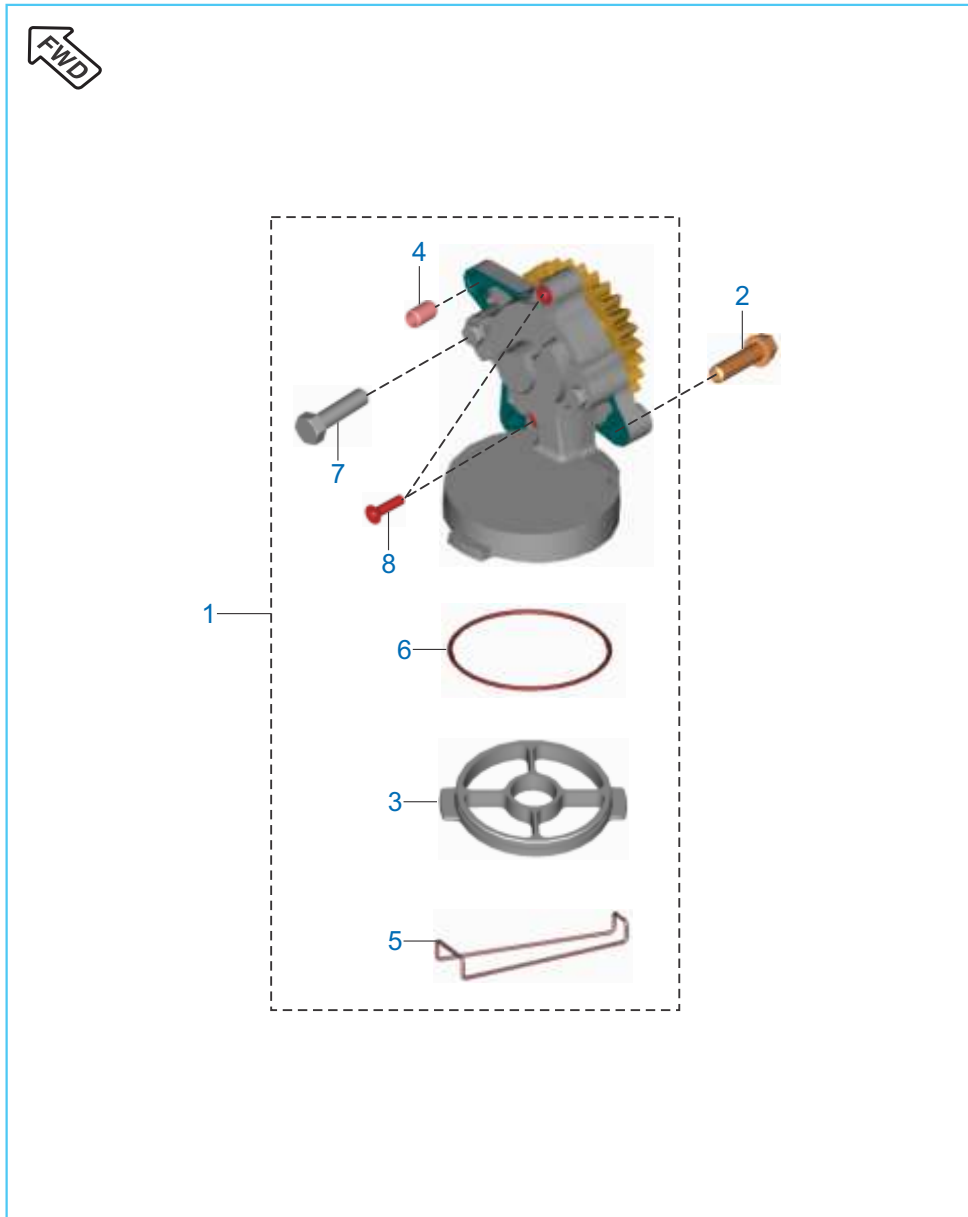
No.	Part No.	Description	Qty.	Remarks
1	52 PD01 35	Assly Cover Magneto	1	
2	DV 1010 42	Gasket Magneto cover	1	
3	LA E000 18	Bolt flanged - M6 (Precoated)	7	
4	39 0999 06	Pin Dowel	2	
5	52 PD01 09	Assly Cover LH RR	1	
6	DJ 1612 28	Gear Shift Label	1	
7	AP 1010 43	NR bearing	1	
8	JE 5412 12	Decal Magneto Cover	1	
9	DH 1012 92	Damper A Cover LH RR	1	
10	DH 1012 93	Plate Damper A Cover LH RR	1	
11	DH 1012 94	Damper B Cover LH RR	1	
12	JM 1000 40	Damper C Cover LH RR	1	
13	JM 1000 41	Plate Damper Cover LH RR	1	
14	DH 1013 88	Bolt	4	
15	DH 1021 66	Seal Dust	1	

Clutch Assembly



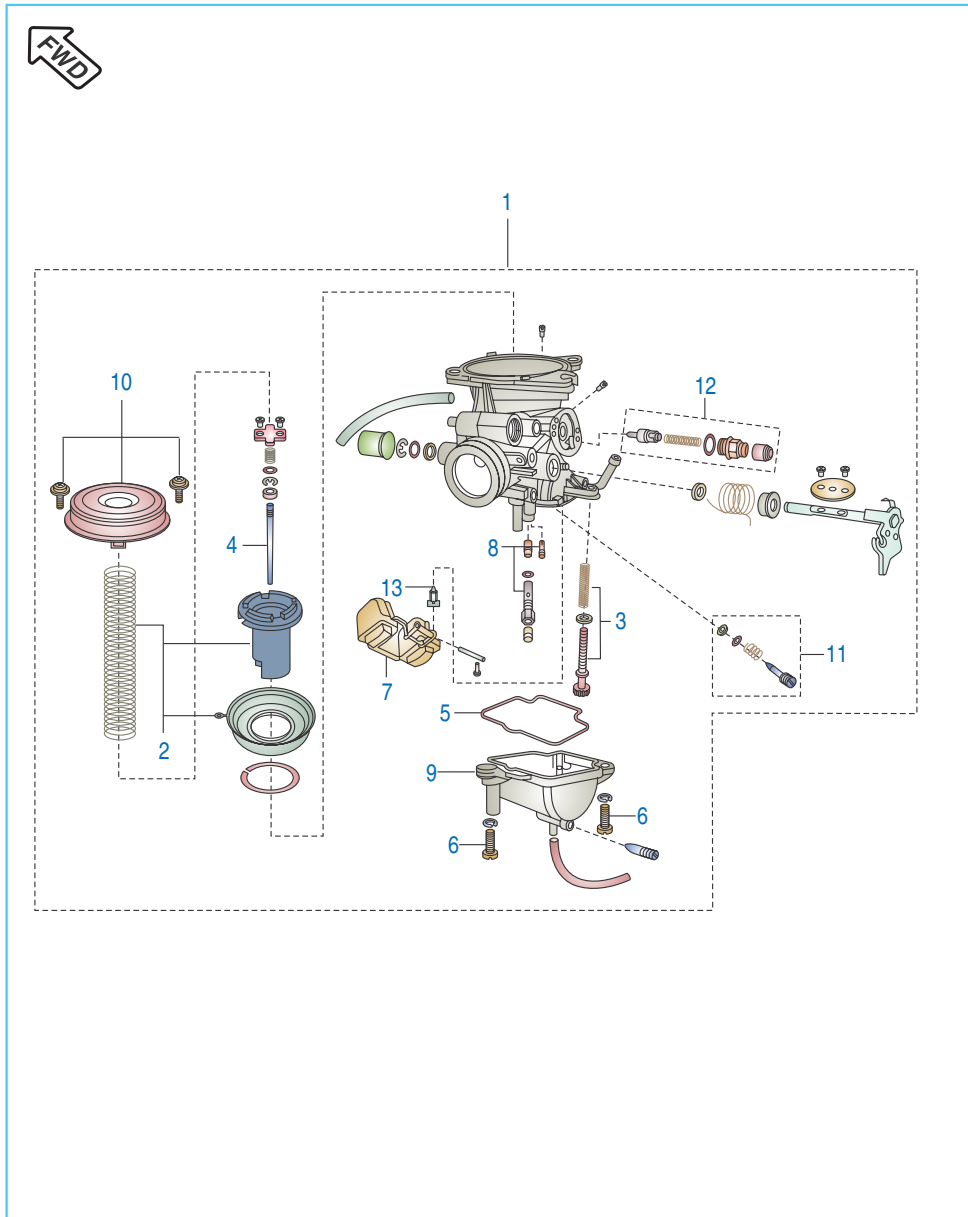
No.	Part No.	Description	Qty.	Remarks
1	PD 5514 00	Clutch assembly comp.	1	
2	DK 1015 71	Spring Judder	1	
3	DH 1018 62	Clutch Center	1	
4	36 DK00 38	Kit Gear Primary Drive & Driven	1	Refer Kit List
5	DK 1015 69	Plate Clutch pressure	1	
6	36 DK00 74	Kit friction plate A	1	Refer Kit List
6A	PD 5514 19	Friction Plate C	1	
6B	DK 1015 68	Friction Plate B	1	
7	PD 5514 39	Plate Clutch	4	
8	PD 5514 27	Spring Clutch	5	
9	DK 1015 74	Bolt	5	
10	39 1880 20	Bearing Clutch lifter thrust	1	
11	DK 1015 73	Holder Clutch (Plate Clutch Lifter)	1	
12	DK 1010 72	Clutch Lifter Rod	1	
13	DH 1021 98	Washer clutch hub	1	
14	DH 1016 48	Nut Primary drive lock	1	LH Thread
15	DK 1015 70	Seat Judder Spring	1	
16	39 2200 11	Washer	1	

Oil Pump



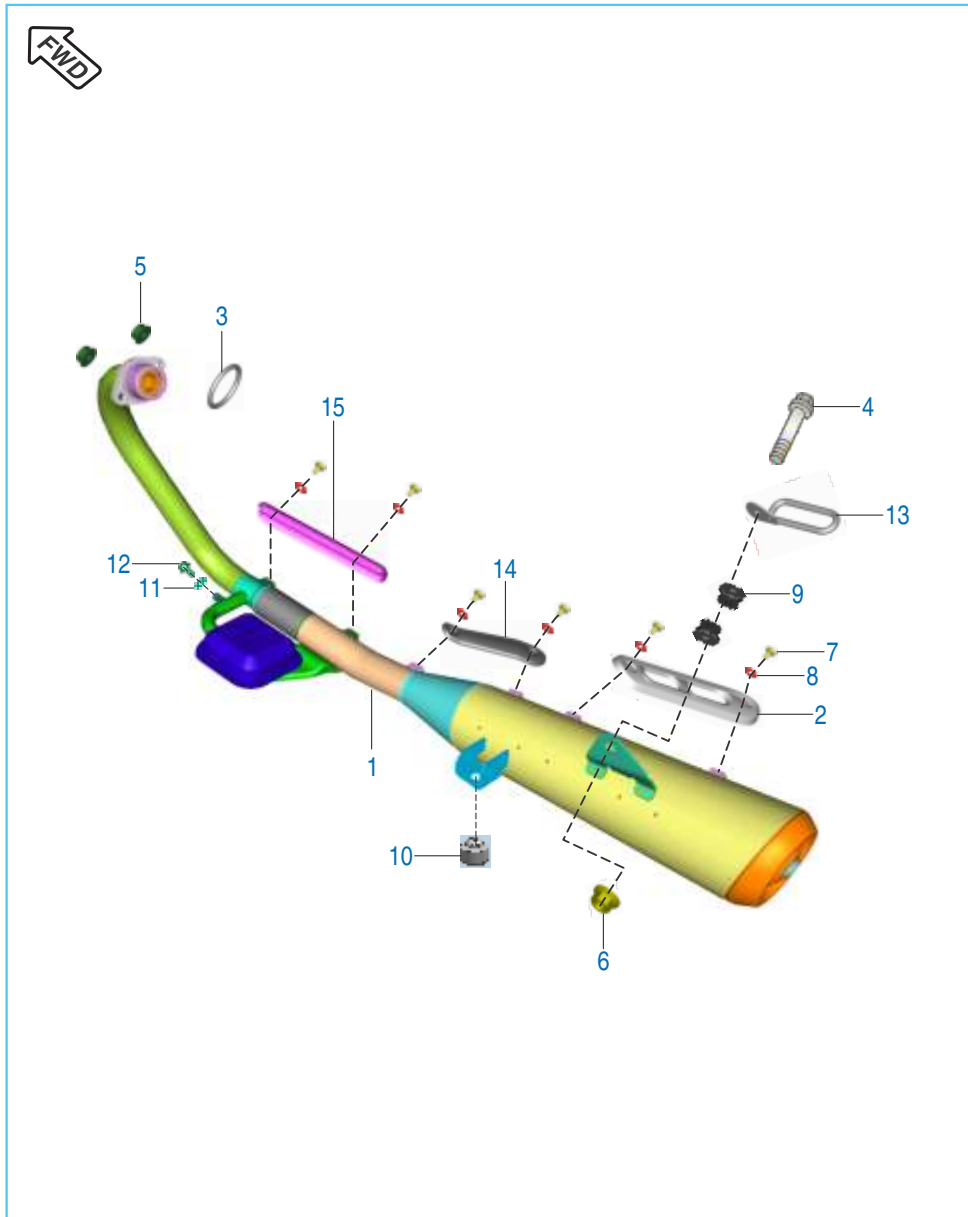
No.	Part No.	Description	Qty.	Remarks
1	52 DH01 69	Oil pump assembly	1	Refer Kit List
2	KA ED06 25	Bolt flanged small	3	
3	DH 1210 10	Mesh filter Oil pump	1	
4	39 0999 06	Hollow dowel pin	1	
5	DH 1210 35	Clip Mesh Oil filter	1	
6	39 2194 21	'O' Ring	1	
7	KA AD05 20	Bolt	2	
8	KB CA04 16	Screw csk cross	2	

Carburettor



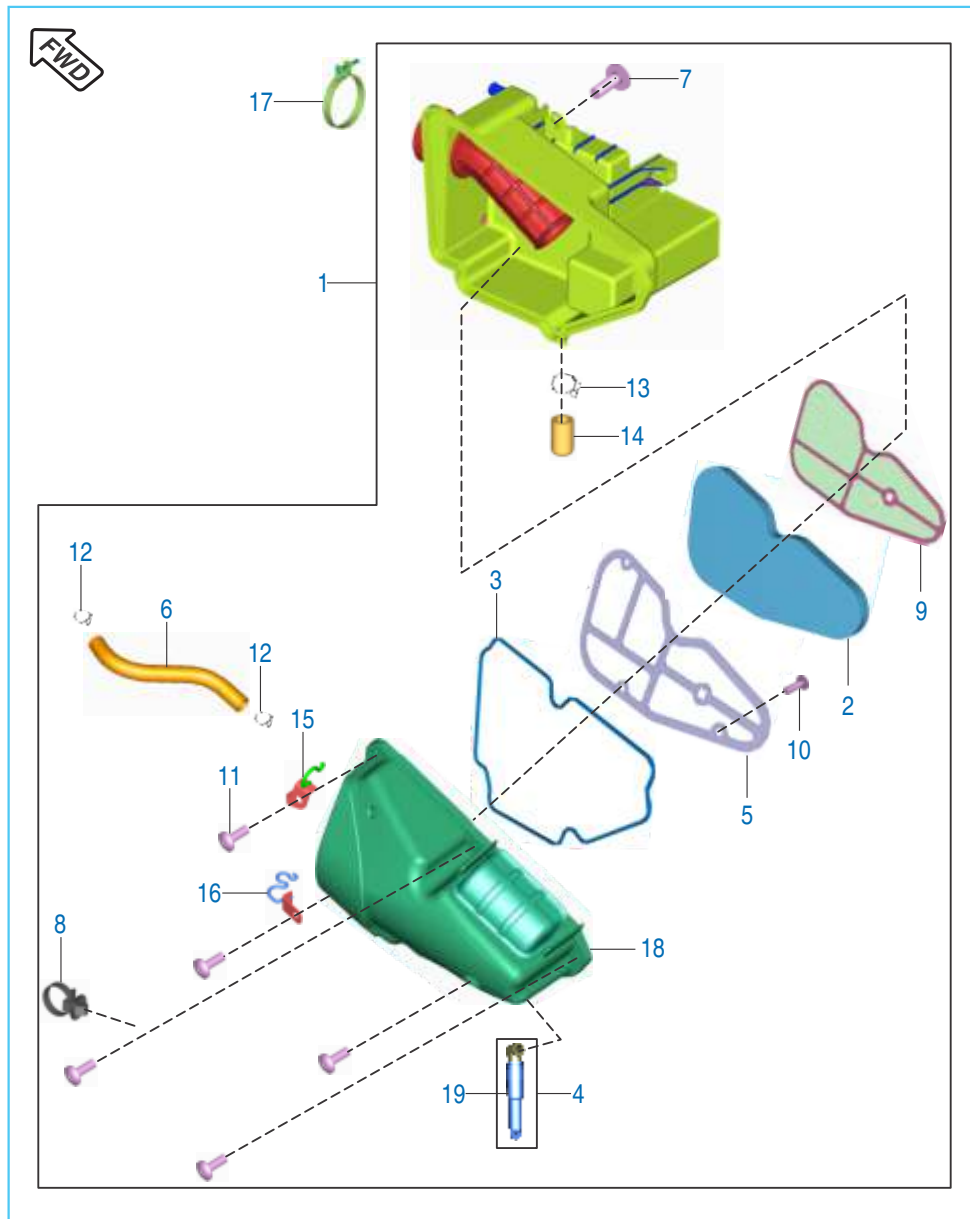
No.	Part No.	Description	Qty.	Remarks
1	PD 5812 26	Carburettor Assembly	1	
2	36 PD01 00	Vacuum Piston Kit	1	
3	DH 1211 68	Idling Screw Kit	1	
4	PD 5812 22	Jet Needle (JN)	1	
5	DH 1210 57	"O" Ring	1	
6	JA 5812 33	Screw	2	
7	DH 1211 62	Float Assly.	1	
8	36 PD01 01	Jet Kit	1	
9	DH 1211 67	Float Body Assly Kit	1	
10	DH 1211 70	Top Cap Assly Kit	1	
11	36 DH41 36	Pilot Screw	1	
12	DJ 1210 59	Plunger Assembly	1	
13	DH 1210 93	Needle Assembly	1	

Silencer Assembly



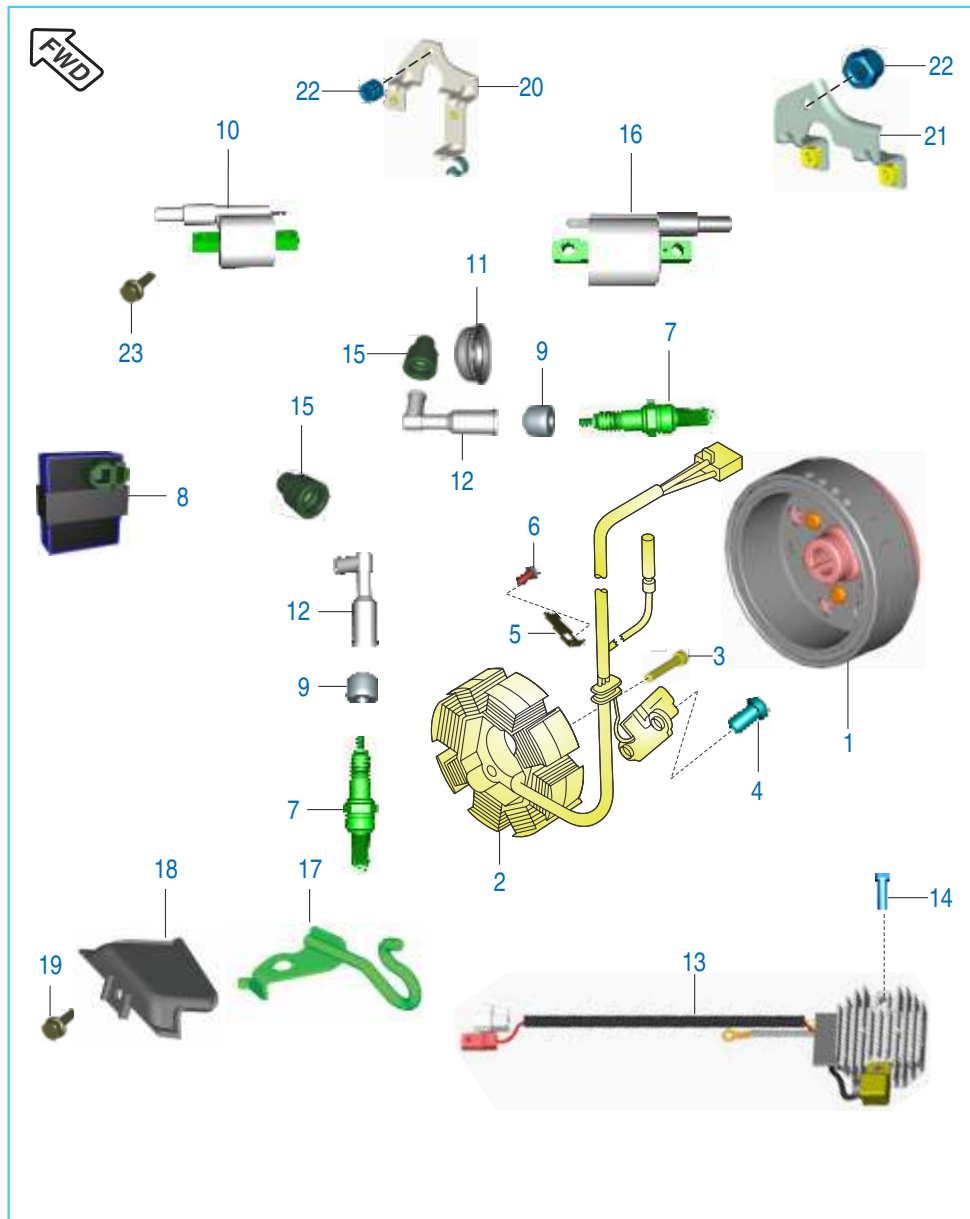
No.	Part No.	Description	Qty.	Remarks
1	YP D300 01	Silencer without Shields	1	
2	JM 1010 27	Shield Exhaust Rear	1	
3	DJ 1010 64	Gasket Exhaust	1	
4	DG 1012 85	Bolt	1	
5	39 1970 15	Domed cap Nut	2	
6	LC L000 01	Nut hex flange - M10	1	
7	PD 5911 01	Truss Screw	6	Shield Mounting
8	PD 5911 00	Washer Shield	4	Shield Mounting
9	DG 1014 19	Bushing Rubber	2	
10	DG 1611 24	Damper	1	
11	39 2492 11	Plain Washer	1	Exhaust chamber
12	KA DC05 10	Bolt flanged	1	Exhaust chamber
13	PD 2312 04	Guard Muffler	1	
14	JM 1010 22	Shield Exhaust Front	1	
15	PD 5910 23	Shield Exhaust Rider	1	

Air Cleaner



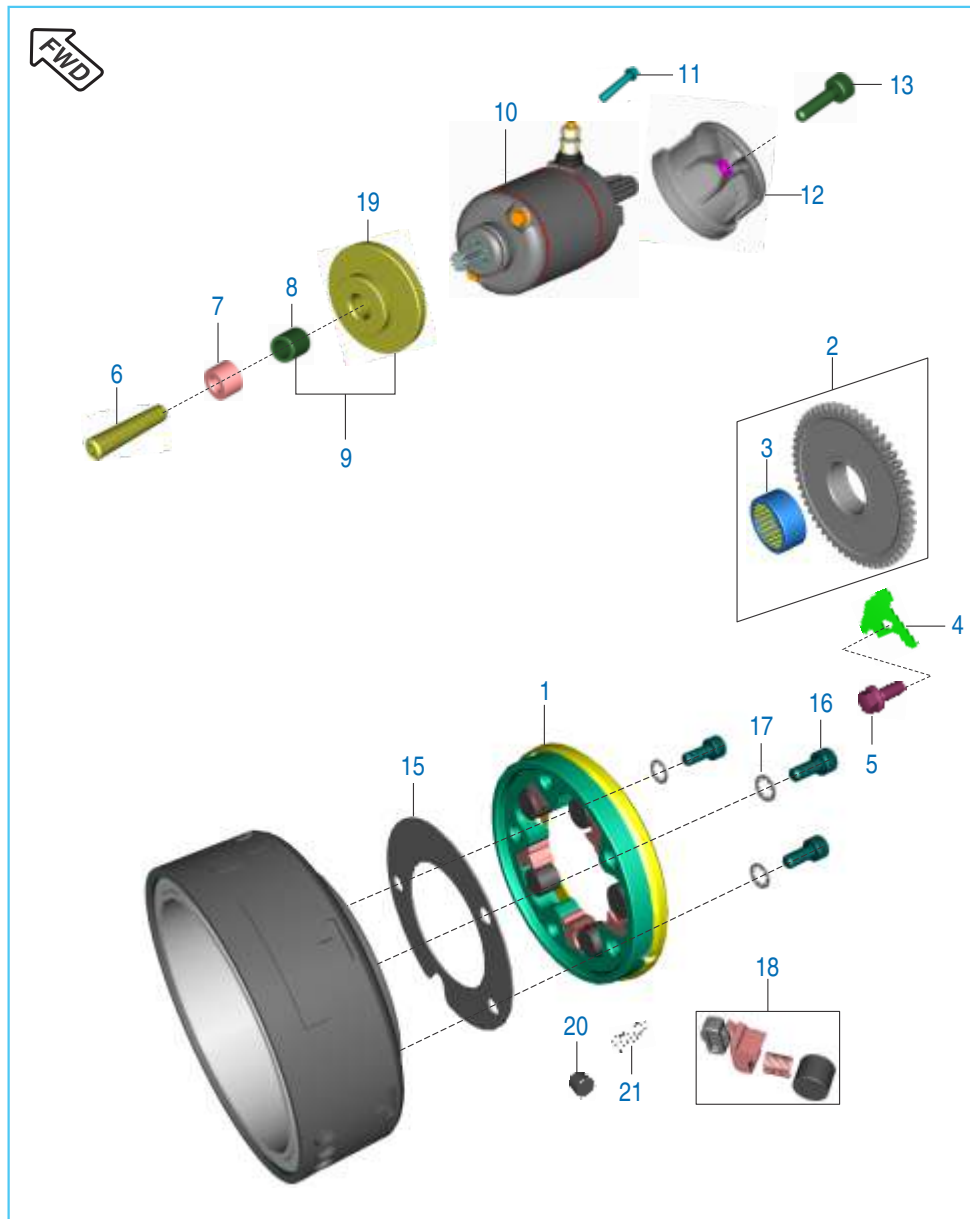
No.	Part No.	Description	Qty.	Remarks
1	PD 5811 00	Filter Assembly Air	1	
2	DG 1210 10	Element - air filter	1	
3	DG 1210 12	Gasket Air filter	1	
4	DG 1210 20	Tube assembly - drain	1	
5	DG 1210 14	Plate Element	1	
6	PD 5810 09	Tube Breather	1	
7	JD 1710 16	Round head screw (black)	1	
8	60 1114 20	Cable tie lock	1	
9	DG 1210 23	Flame Arrester	1	
10	39 2046 01	Screw	3	
11	39 2044 01	Screw	5	
12	DP 1210 18	Clamp	2	
13	JK 5110 02	Clamp	1	
14	PD 5810 61	Tube drain	1	
15	PD 5810 63	Hook breather tube canister 2	1	
16	PD 5810 62	Hook breather tube canister 1	1	
17	JE 5810 68	Clamp connecting tube	1	
18	DV 1210 04	Cover Air Filter	1	
19	PD 5810 11	Boot	1	

Magneto, CDI, Spark Plug & H.T. Coil



No.	Part No.	Description	Qty.	Remarks
1	JC 1110 28	Rotor assy without clutch assy	1	
2	PD 3510 02	Stator Assly. comp	1	
3	DK 1012 84	Hex. socket head screw	3	
4	DH 1013 81	Pan Head Screw	2	
5	PD 5412 74	Stopper plate (wiring harness)	1	
6	JG 1312 20	Screw pan cross	1	
7	DG 1110 08	Spark plug	2	
8	PD 3512 52	CDI	1	
9	DH 1110 13	Grommet Spark Plug cap	2	
10	PD 3512 35	H.T. Coil With Cable LH	1	
11	DH 1110 16	Grommet Sleeve Spark Plug	1	
12	AP 1110 12	Cap Spark Plug	2	
13	PD 4020 07	Regulator Voltage	1	
14	KA DD06 30	Bolt flanged	2	
15	DD 1110 12	Grommet H.T. Cable	2	
16	PD 3512 37	H.T. Coil With Cable RH	1	
17	PD 5111 29	Bracket HT Cable	1	
18	PD 1138 07	Cover Regulator	1	
19	KA EA06 10	Bolt Flanged	1	
20	PD 1138 10	Bkt HT coil mtg carb loose LH	1	
21	PD 1138 11	Bkt HT coil mtg carb loose RH	1	
22	KC HC06 08	Nut nyloc - M6	2	
23	KA DF06 18	Bolt flanged	4	

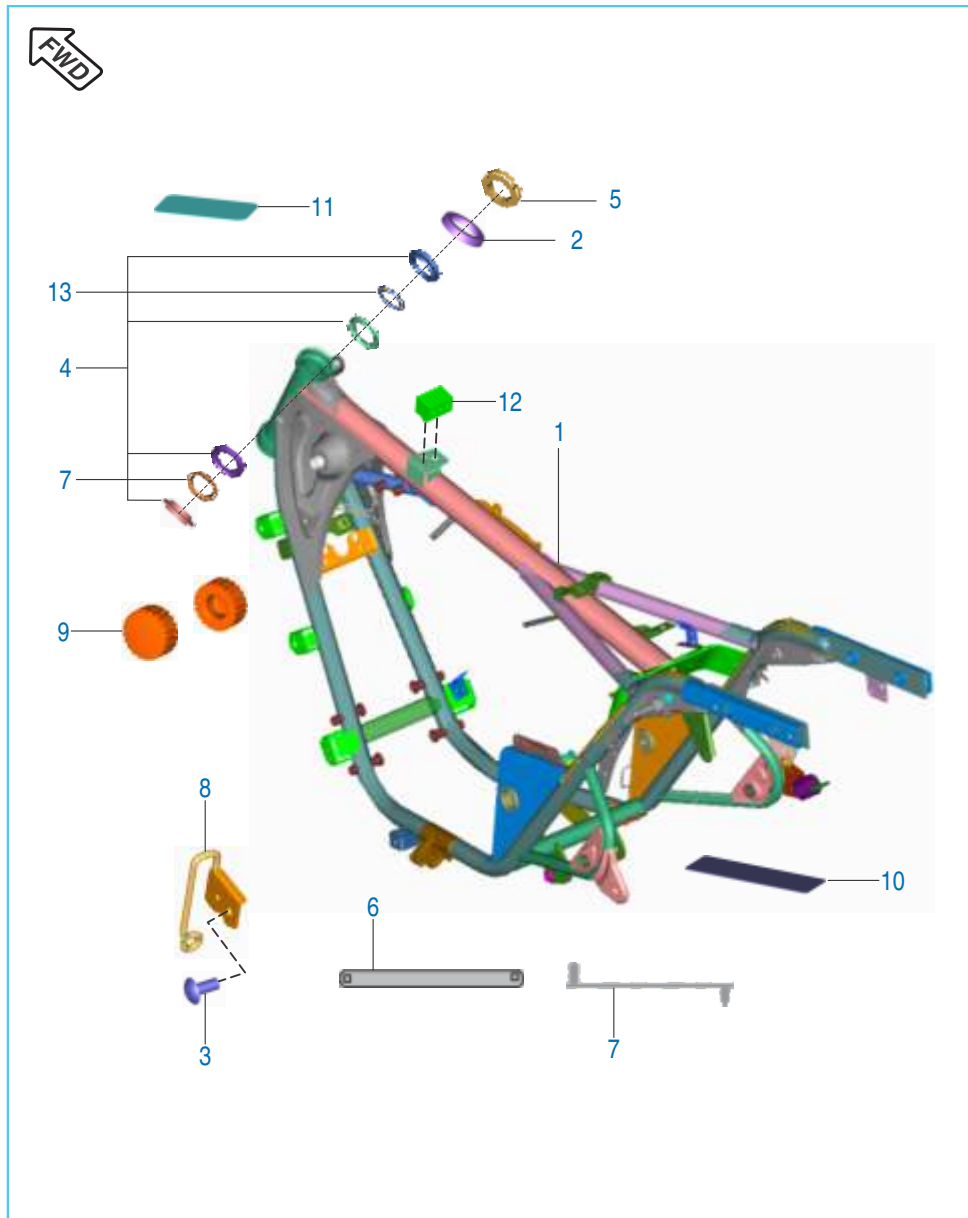
Starter Motor & Starter Assembly



No.	Part No.	Description	Qty.	Remarks
1	DK 1015 95	Body comp. starter clutch	1	
2	JC 1011 14	Assembly gear starter clutch (55T)	1	
3	59 2000 07	Needle roller bearing	1	
4	DH 1015 81	Plate starter clutch gear return	1	Stopper plate
5	DH 1013 85	Bolt flanged - M6	1	For stopper plate
6	DK 1011 76	Shaft starter counter	1	
7	DH 1011 72	Collar starter counter	1	
8	39 2152 20	Needle roller bearing	1	
9	JC 1011 45	Assembly gear starter counter (14T)	1	
10	DH 1111 14	Motor assembly starter	1	
11	LA E000 18	Bolt	2	
12	56 DJ4E 1Y	Cover starter motor	1	
13	DH 1013 89	Bolt socket	1	
14	36 DK00 45	Molicoat grease	1	N.I.
15	DK 1016 05	Plate roller clutch	1	
16	39 0972 04	Bolt Socket M6	3	
17	LD F000 01	Washer toothed	3	
18	36 DK00 77	Kit Spring comp st. clutch	1	
19	59 1000 02	Spring Dowel	1	N.I.
20	DH 1011 63	Roller	5	
21	DK 1015 96	Spring starter clutch	5	

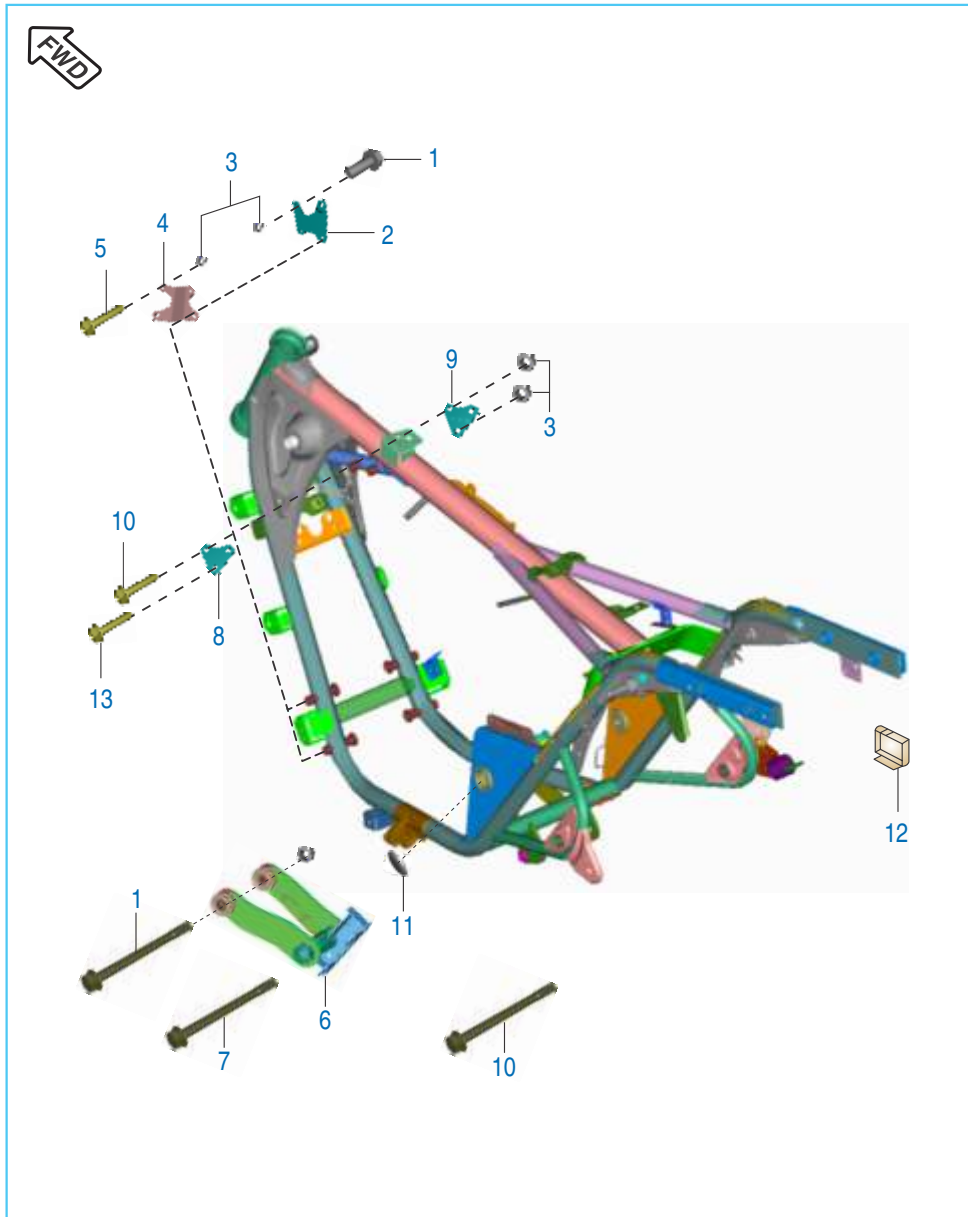
Note:- Introduction of Roller type clutch & deletion of sprag clutch from week4 sept 18.

Frame & Frame Fittings



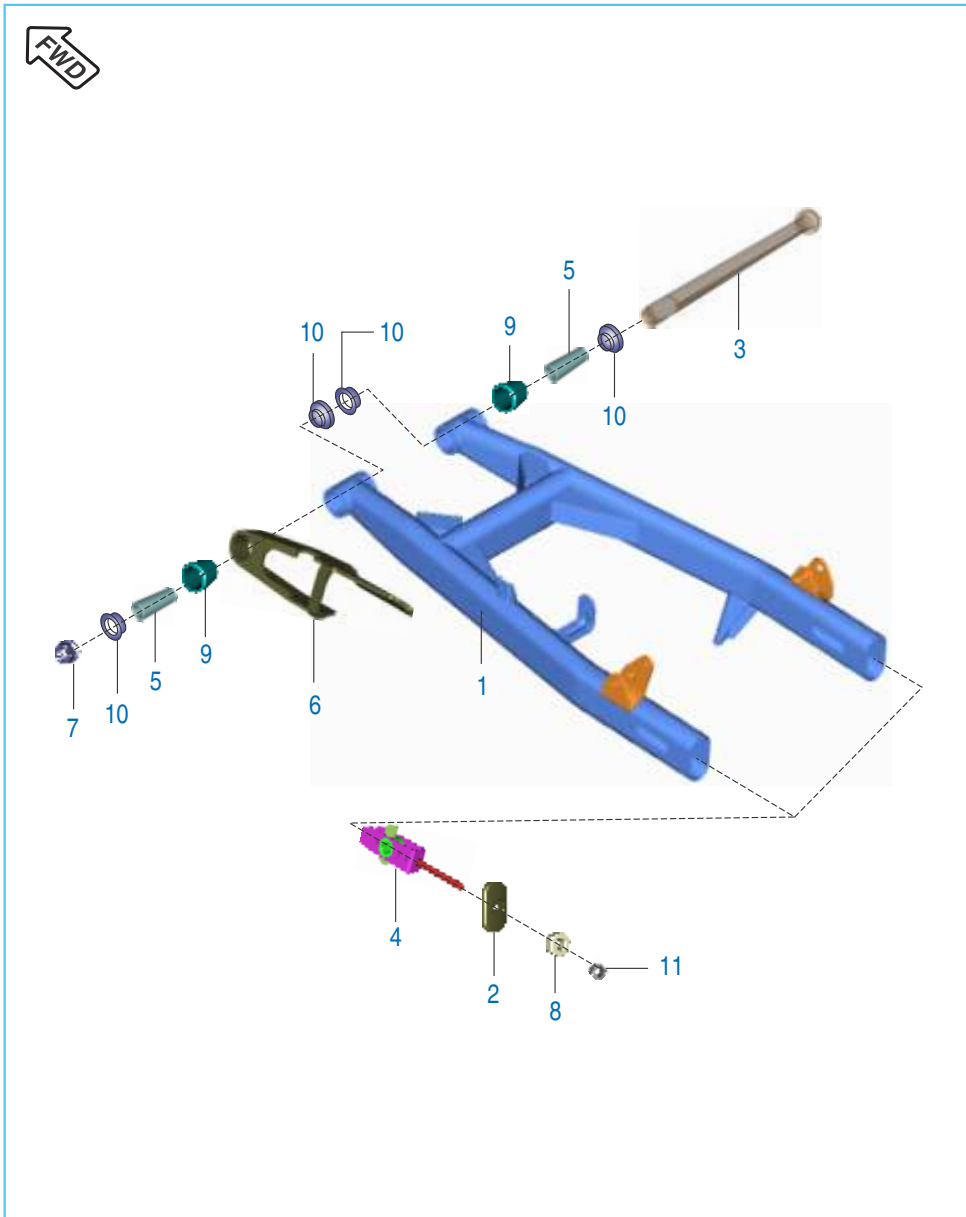
No.	Part No.	Description	Qty.	Remarks
1	PD 1110 63	Frame Assembly	1	
2	DK 1810 76	Cup steering	1	
3	KB UC06 14	Screw Truss	1	
4	36 JG00 11	Kit steering head bearing	1	Refer Kit List
5	DK 1810 75	Steering Nut	1	
6	PD 1138 08	Strip clamp	2	
7	DK 1810 51	Cage bearing steering bottom	1	
8	PD 1138 14	Bracket Throttle Cable Routing	1	
9	DJ 1410 08	Damper front	1	
10	DT 1138 58	Tape frame	1	
11	JZ 1112 92	Tape frame head pipe	1	
12	PD 1710 49	Damper	1	
13	DK 1810 50	Cage bearing steering top	1	

Frame Fitting



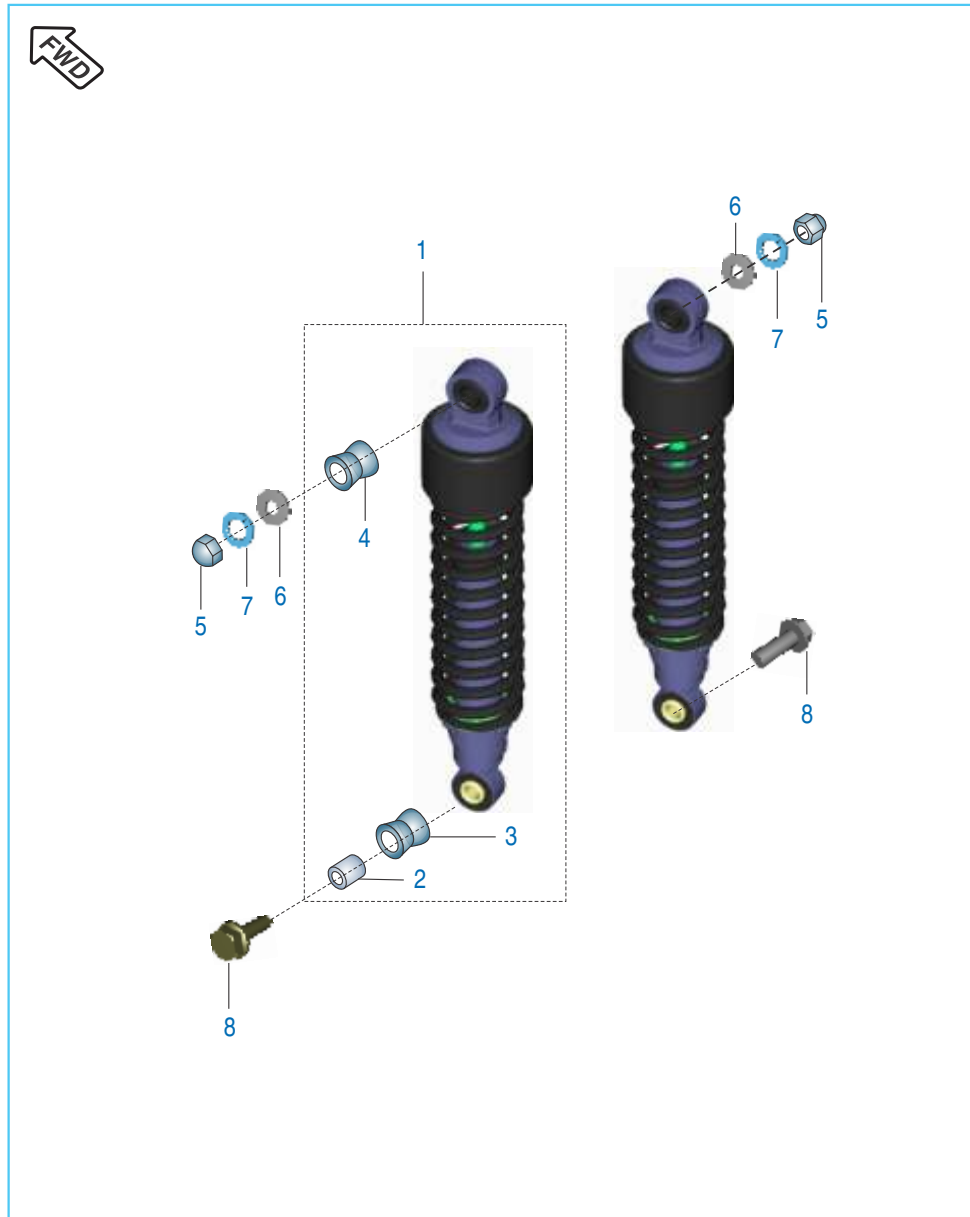
No.	Part No.	Description	Qty.	Remarks
1	59 0400 42	Bolt, Flanged	1	
2	JM 1610 03	Bracket, Engine Mtg. Front RH	1	
3	39 1970 15	Hex Nut	11	
4	JM 1610 02	Bracket, Engine Mtg. Front LH	1	
5	39 1967 04	Bolt	4	
6	PD 1134 13	Bracket, Engine Rear	1	BS IV
7	59 0400 43	Bolt, Allen	1	
8	PD 1134 10	Bracket, Engine Top LH	1	
9	PD 1134 11	Bracket, Engine Top RH	1	
10	KA DD08 60	Bolt flanged	2	
11	DG 1611 54	Cap, Pivot	2	
12	DG 1611 65	Cap, Tool case	1	
13	KA DD08 60	Bolt flanged	1	From March 2018

Swing Arm



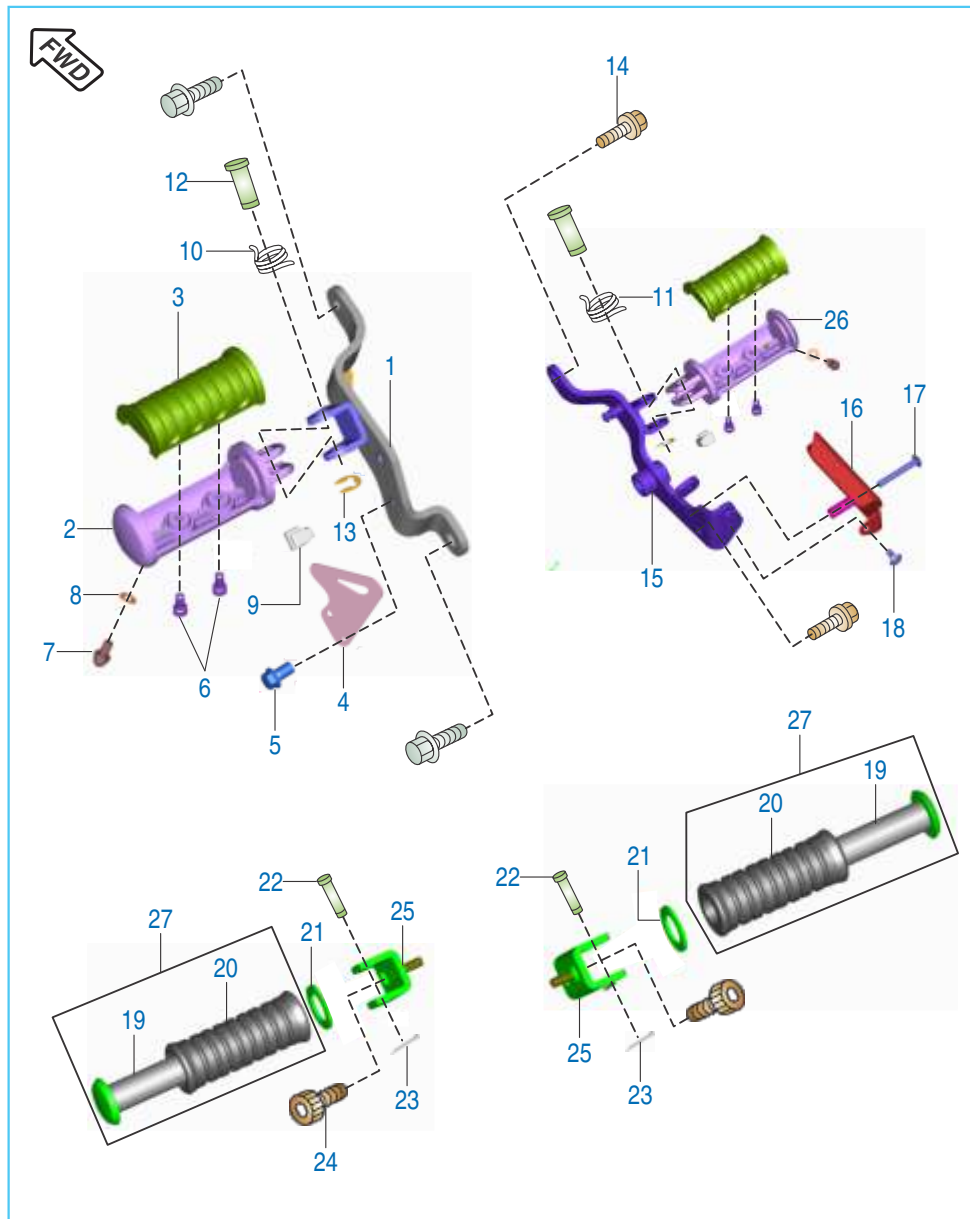
No.	Part No.	Description	Qty.	Remarks
1	PD 1220 13	Arm assembly swing	1	
2	JM 1710 04	Cap chain Adjuster	2	
3	JL 1220 26	Shaft swing arm assembly	1	
4	DJ 1710 44	Adjuster Chain	2	
5	DG 1710 16	Sleeve	2	
6	DG 1710 34	Guard, Chain	1	
7	DG 1710 17	Nut	1	
8	DG 1710 22	Nut	2	
9	DG 1710 18	Bearing Needle	2	
10	DG 1710 19	Seal Oil	4	
11	KC BC08 05	Nut hex thin - M8	2	

Rear Shock Absorber



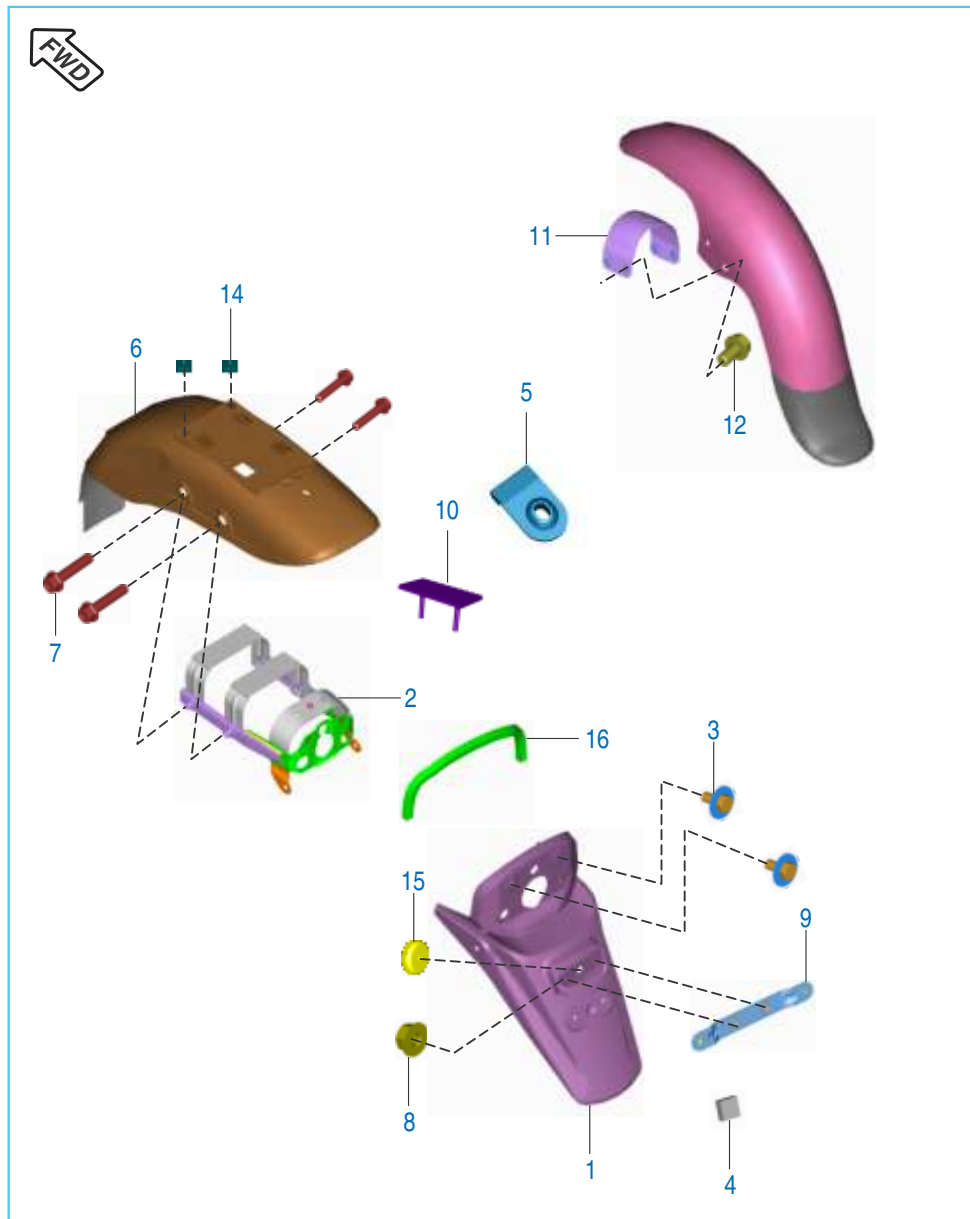
No.	Part No.	Description	Qty.	Remarks
1	PD 1220 16	Shockabsorber rear	2	
2	DG 1710 35	Collar, shock Absorber	2	
3	DG 1710 37	Damper, Lower	2	
4	DG 1710 36	Damper, Upper	2	
5	DG 1710 29	Nut cap	2	
6	DG 1710 25	Washer	2	
7	KD DB10 18	Spring Washer	2	
8	DG 1710 38	Bolt Flanged	2	

Foot Rest



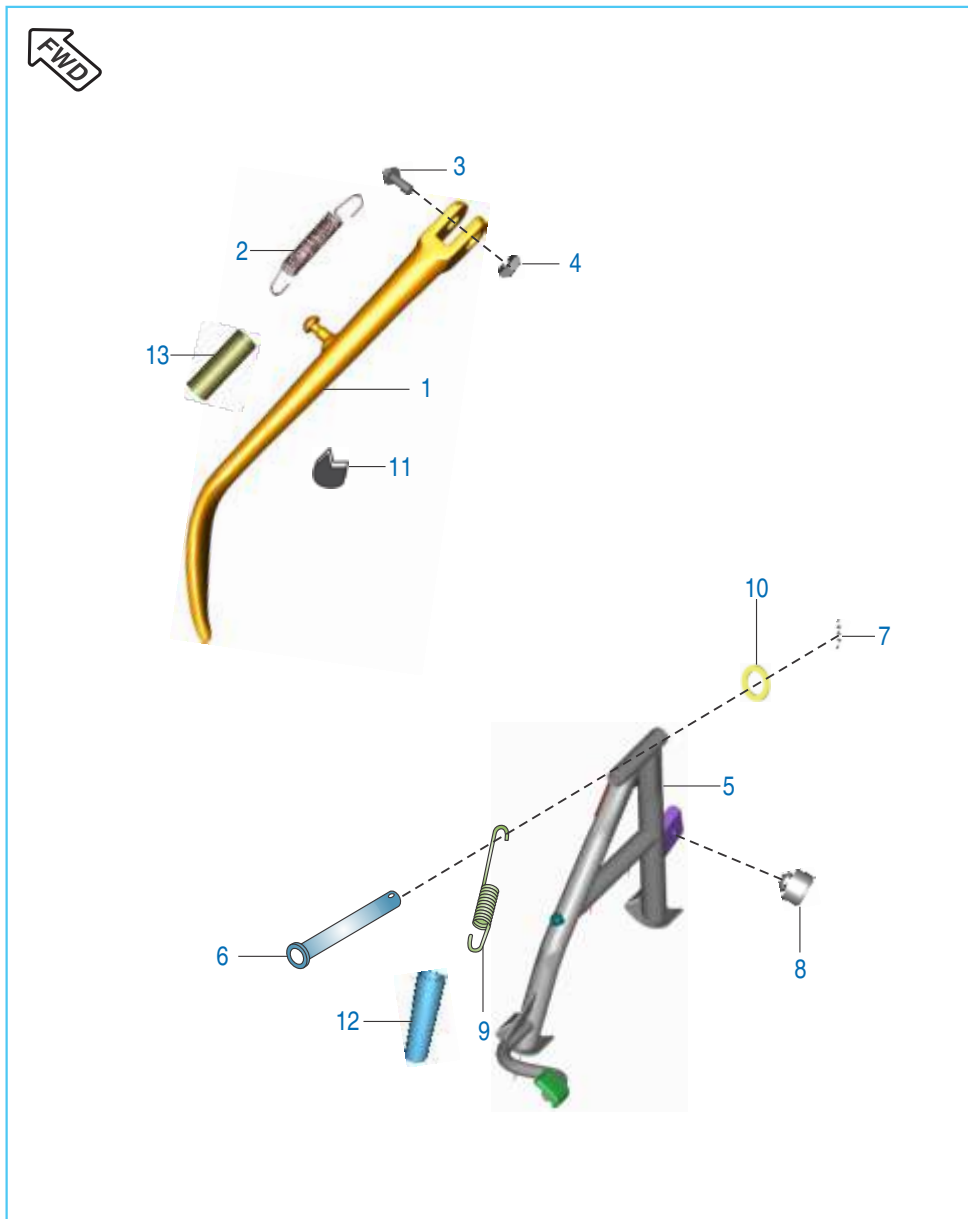
No.	Part No.	Description	Qty.	Remarks
1	DV 1610 46	Holder Step L	1	
2	PD 1130 00	Footrest Rider LH	1	
3	PD 1130 03	Rubber Rider Step	2	
4	PD 2312 06	Guard Step LH	1	
5	KA EM06 10	Bolt - flanged - small	1	
6	KA CA06 12	Bolt master KAC	4	
7	DG 1611 44	Bolt	2	
8	KD AB06 11	Washer plain small	2	
9	DV 1610 50	Rubber stopper step	2	
10	36 DV00 05	Spring - L	1	
11	DG 1611 47	Spring - R	1	
12	DG 1611 45	Pin	2	
13	KE CC01 10	Circlip type E	2	
14	DG 1612 22	Bolt - PA recoated	4	
15	JM 1610 37	Holder Step Front RH	1	
16	PD 2312 05	Guard brake pedal	1	
17	LB U000 08	Screw mushroom head M6 x L40	1	
18	KB UA06 12	Screw truss	1	
19	PD 1130 02	Footrest pillion	2	
20	PD 1130 04	Rubber Main Step	2	
21	DG 1611 50	Washer	2	
22	DG 1611 89	Pin	2	
23	KH AA20 20	Pin cotter	2	
24	DG 1611 53	Bolt socket	2	
25	PD 1130 10	Bracket Pillion Step Holder With Stud	2	
26	PD 1130 01	Step rider RH	1	
27	PD 1130 07	Assembly pillion step	2	

Mudguard - Front & Rear



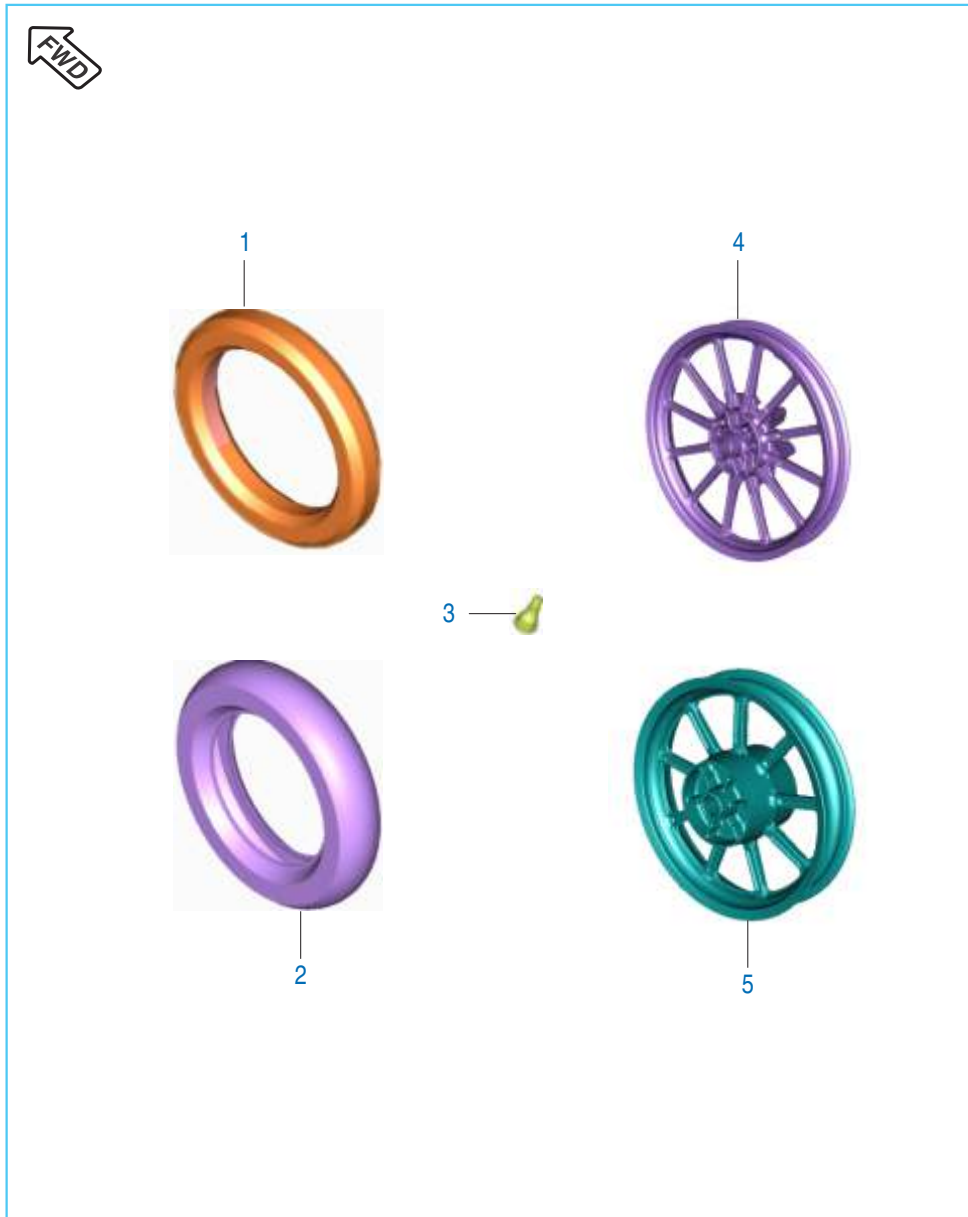
No.	Part No.	Description	Qty.	Remarks
1	PD 1814 12	Flap fender rear	1	
2	PD 1814 13	Bracket structure rear fender mtg	1	
3	DG 1611 10	Bolt	2	
4	JZ 2328 05	Foam rear number plate	1	
5	DG 1611 08	Damper	1	
6	PD 1814 11	Fender Rear	1	
7	KA DU08 40	Bolt flanged - M8	4	
8	KC GC06 06	Nut hex flanged	2	
9	DU 1613 84	Bkt. Rear Number Plate	1	
10	PD 1814 01	Damper Rear Mud Guard	1	
11	PD 1814 08	Brace fender front	1	
12	KA DF08 14	Bolt flanged	4	
13	DX 1610 66	Pad brace fender	4	
14	PD 1814 00	Grommet rear fender	2	
15	DJ 2011 73	Grommet for cables - rear fender	1	
16	PD 1814 21	Foam flap fender rear	1	

Side Stand & Center Stand Assembly



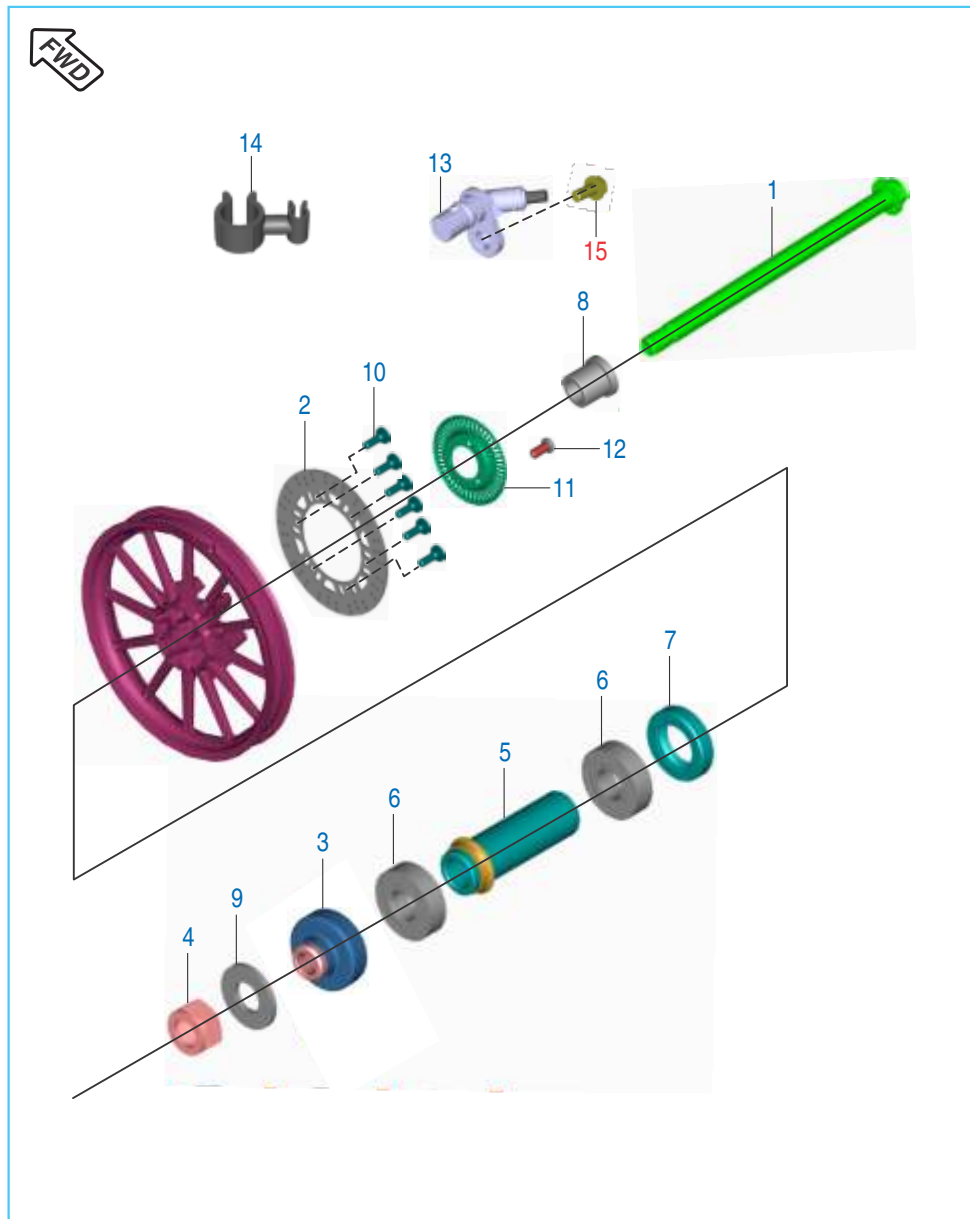
No.	Part No.	Description	Qty.	Remarks
1	DV 1610 17	Side Stand	1	
2	DG 1612 19	Spring	1	
3	DG 1611 29	Bolt	1	
4	DD 1610 71	Lock Nut	1	
5	PD 1132 08	Stand Centre	1	
6	DG 1612 30	Shaft Stand	1	
7	KH AA32 35	Pin Cotter	1	
8	DG 1611 24	Damper	1	
9	DV 1610 60	Spring	1	
10	39 2423 11	Plain washer	1	
11	DG 1612 76	Damper Side Stand	1	
12	DH 1611 45	Cover spring M - stand	1	
13	DH 1611 46	Cover spring S - stand	1	

Tyre, Tube & Wheel Rim



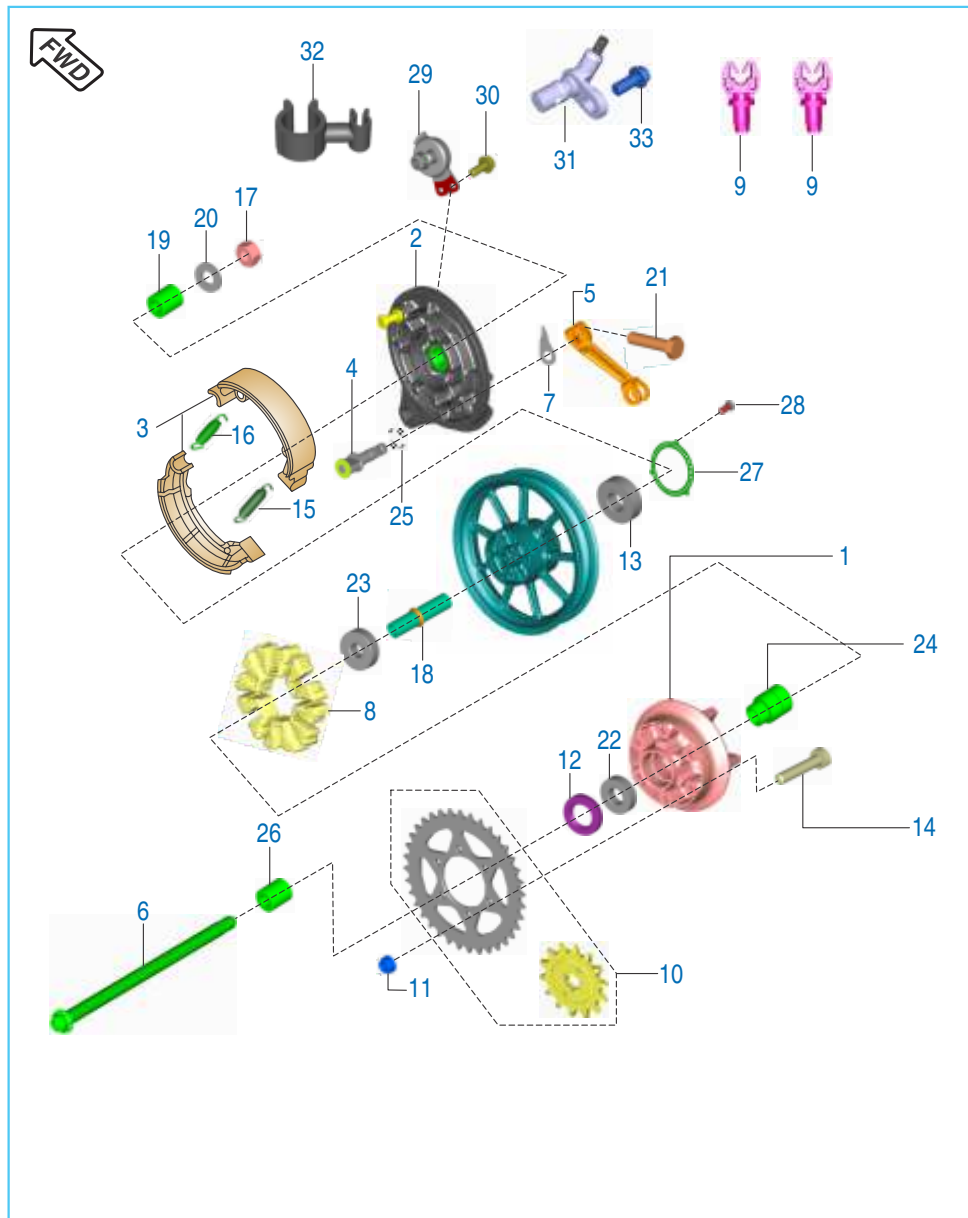
No.	Part No.	Description	Qty.	Remarks
1	DK 1510 39	Tyre 90/90-17 Tubeless HI-GRIP	1	
2	PD 1312 11	Tyre Rear 130/90-15 66P	1	
3	DK 1510 26	Valve	2	
4	PD 1310 07	Wheel Front Tubeless	1	
5	PD 1312 24	Wheel rear MT 2.5 X 15	1	

Front Hub



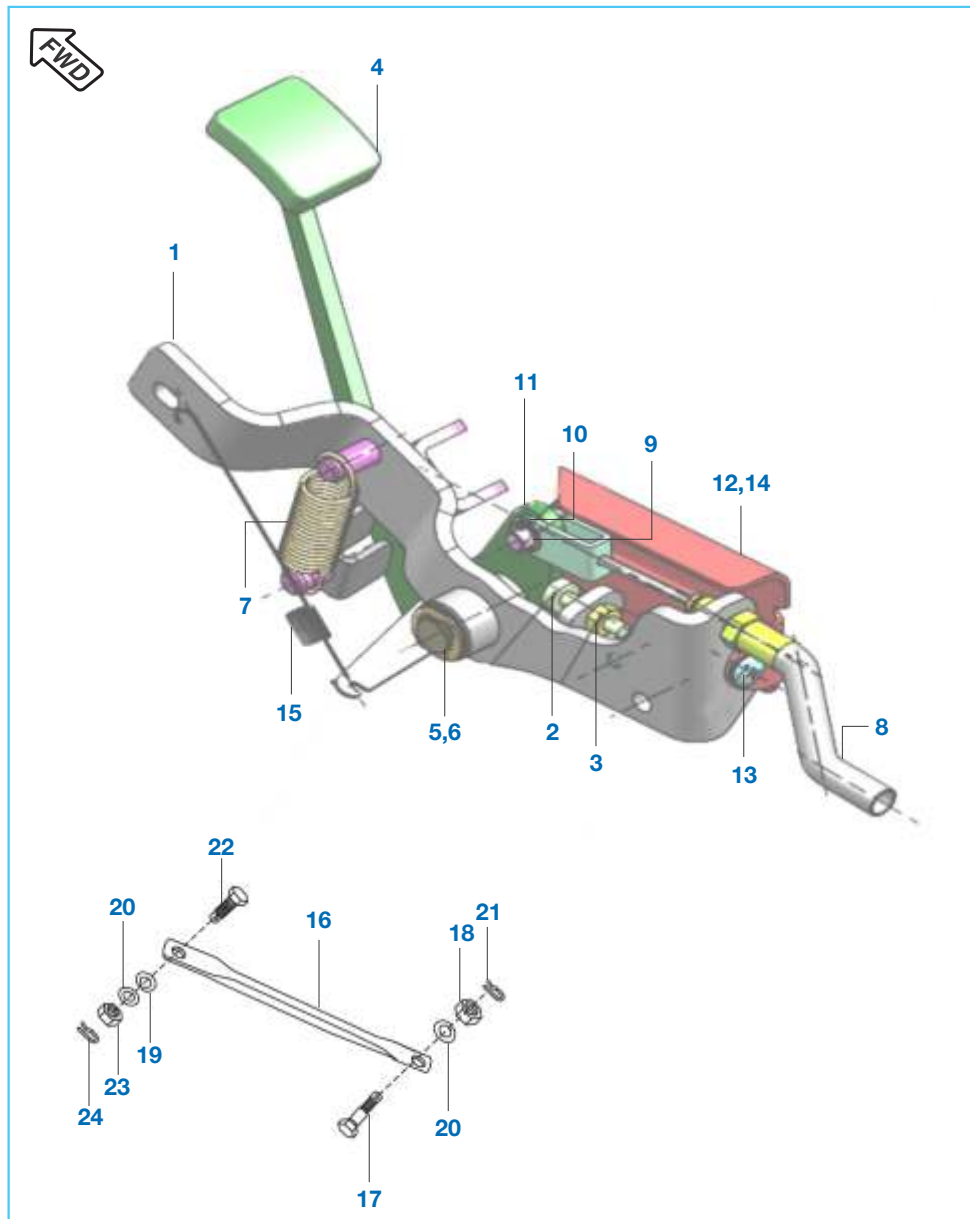
No.	Part No.	Description	Qty.	Remarks
1	DG 1510 06	Axle, Front	1	
2	PD 1318 34	Disc brake Dia 280	1	
3	DT 1310 17	Collar assembly wheel front	1	
4	DH 1710 19	Nut	1	
5	DV 1510 07	Collar assembly	1	
6	KP BC62 02	Ball Bearing	2	
7	DG 1510 05	Seal oil	1	
8	DG 1510 07	Collar Front Axle	1	
9	LD B000 01	Washer plain DIA.32 X 15.2 X 3	1	
10	JD 1318 11	Special bolt M8	6	
11	PD 1318 35	Disc sensor speed front	1	
12	JG 1312 20	Screw pan cross - M6	3	
13	PD 4036 02	Sensor speed wheel	1	
14	JH 1318 84	Clip harness speed sensor	1	
15	KA DF06 14	Bolt flanged	1	

Rear Hub - Alloy Wheel



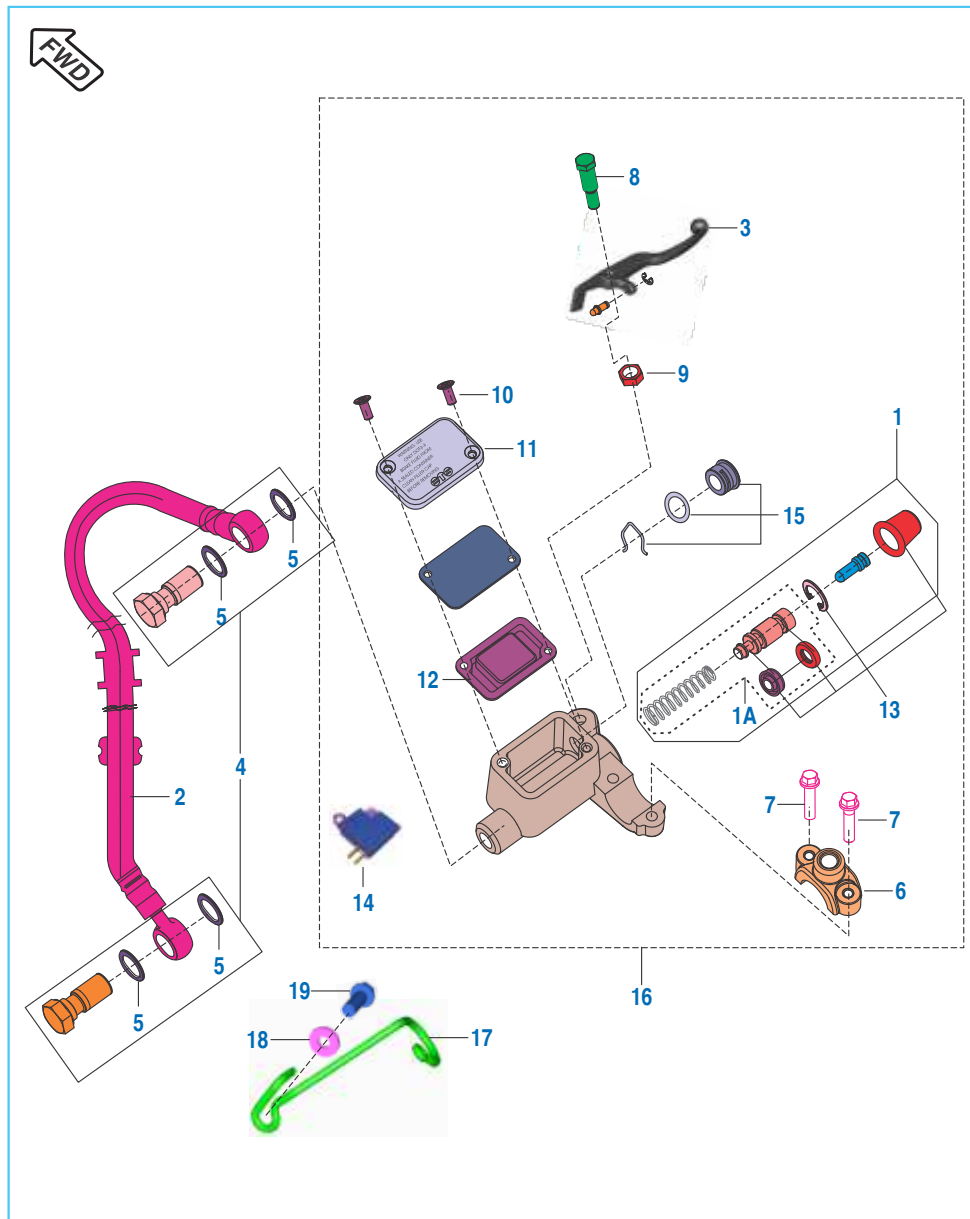
No.	Part No.	Description	Qty.	Remarks
1	PD 1312 12	Coupling	1	
2	PD 1318 09	Panel Brake Rear	1	
3	DG 1510 96	Shoe Brake	2	
4	DG 1510 59	Cam Brake	1	
5	DG 1510 60	Lever Brake Cam	1	
6	JM 1510 05	Axle Rear	1	
7	30 1510 05	Indicator Brake Shoe	1	
8	JL 1312 32	Damper Rear Hub Shock	1	
9	BG 1138 04	Clamp brake pipe	2	
10	36 PD00 98	Chain - Sprocket - Kit	1	Refer Kit List
11	LC L000 04	Nut U Flange - M8	6	
12	30 1510 82	Seal Oil	1	
13	KP BC62 02	Bearing Ball	1	
14	DG 1510 68	Bolt	6	
15	DG 1510 58	Spring Brake Shoe	1	
16	30 1510 69	Spring Brake Shoe	1	
17	DH 1710 19	Nut	1	
18	DG 1510 85	Collar Rear Brake Drum	1	
19	DG 1510 62	Collar Rear Axle	1	
20	LD B000 01	Washer	1	
21	39 1069 01	Hexagon head Screw	1	
22	KP BC60 04	Bearing Ball	1	
23	KP BC63 02	Bearing Ball	1	
24	DG 1510 65	Sleeve	1	
25	30 1510 38	O Ring	1	
26	DG 1510 67	Collar	1	
27	PD 1318 36	Disc sensor speed rear	1	
28	JG 1312 20	Screw pan cross - M6	1	
29	DT 1318 57	Speed sensor mounting enclosure	1	
30	KA DT06 14	Bolt flanged - M6	2	
31	PD 4036 02	Sensor speed wheel	1	
32	JH 1318 84	Clip harness speed sensor	1	
33	KA ED06 14	Bolt flanged small	1	

Rear Brake Pedal



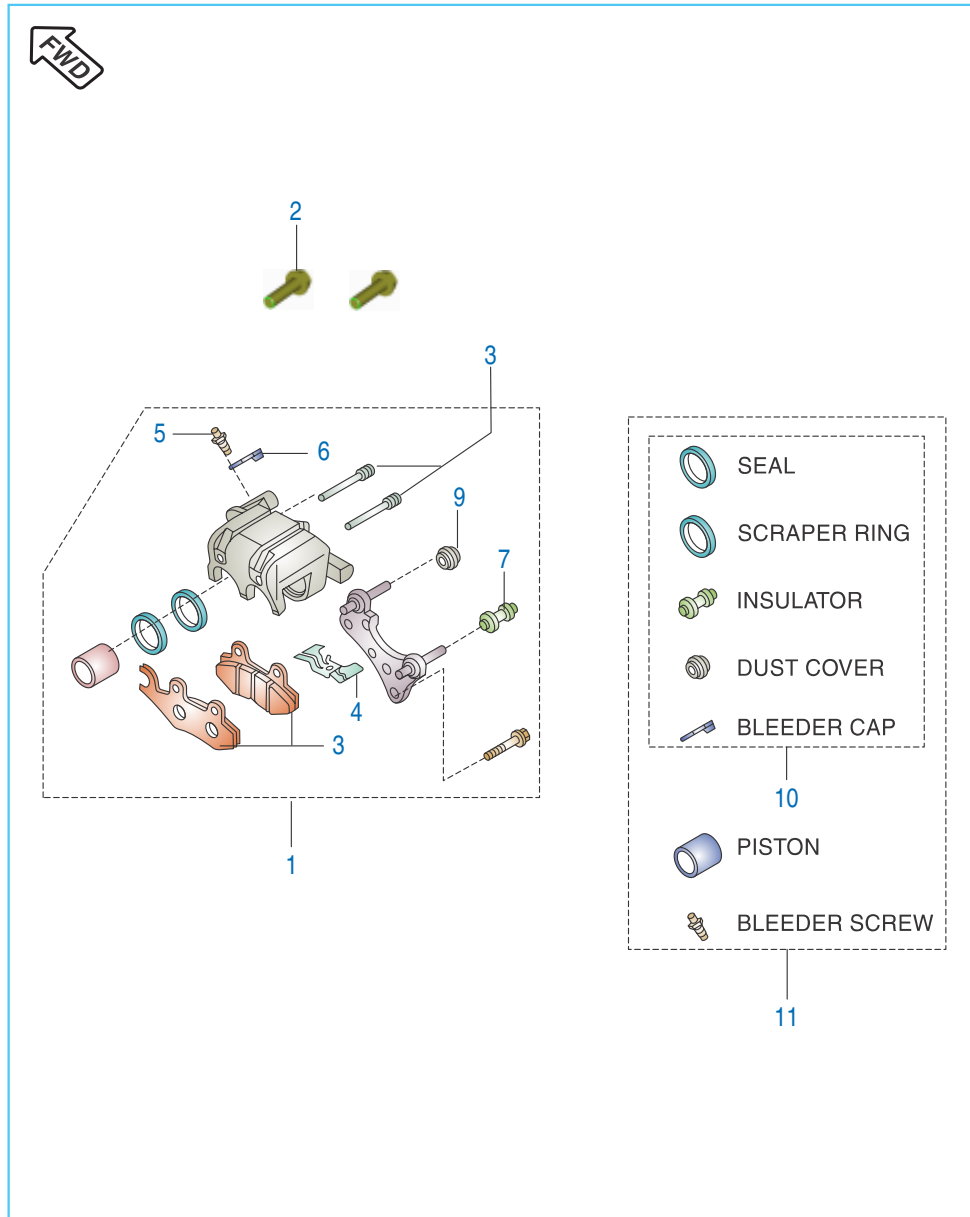
No.	Part No.	Description	Qty.	Remarks
1	JM 1610 37	Assembly stay RH	1	
2	39 1069 01	Hexagon head screw	1	
3	KC AK06 05	Nut hex thick - M6	1	
4	JM 1910 11	Lever Brake	1	
5	39 0805 11	Washer	1	
6	LE C000 01	Circlip E type	1	
7	JM 1910 12	Spring	1	
8	JM 1910 13	Rear brake cable	1	
9	DG 1910 51	Pin	1	
10	KD AA08 16	Washer plain small	1	
11	KH AA20 20	Pin cotter	1	
12	PD 2312 05	Guard Brake pedal	1	
13	KB UA06 12	Mushroom Head screw - M6-L12	1	
14	LB U000 08	Mushroom Head screw - M6-L4	1	
15	JM 1910 14	Spring Brake Switch	1	
16	PD 1220 03	Torque Rod	1	
17	DG 1910 48	Bolt Torque Rod	1	
18	LC L000 01	Nut hex flange - M10	1	
19	KD DB10 18	Washer spring thin	1	
20	KD BB08 18	Washer Plain	2	
21	LH B000 01	Pin Snap	1	
22	PD 1220 04	Bolt torque rod	1	
23	39 0694 15	Hex lock nut - M8	1	
24	KH BA08 28	Pin snap	1	

Front Master Cylinder



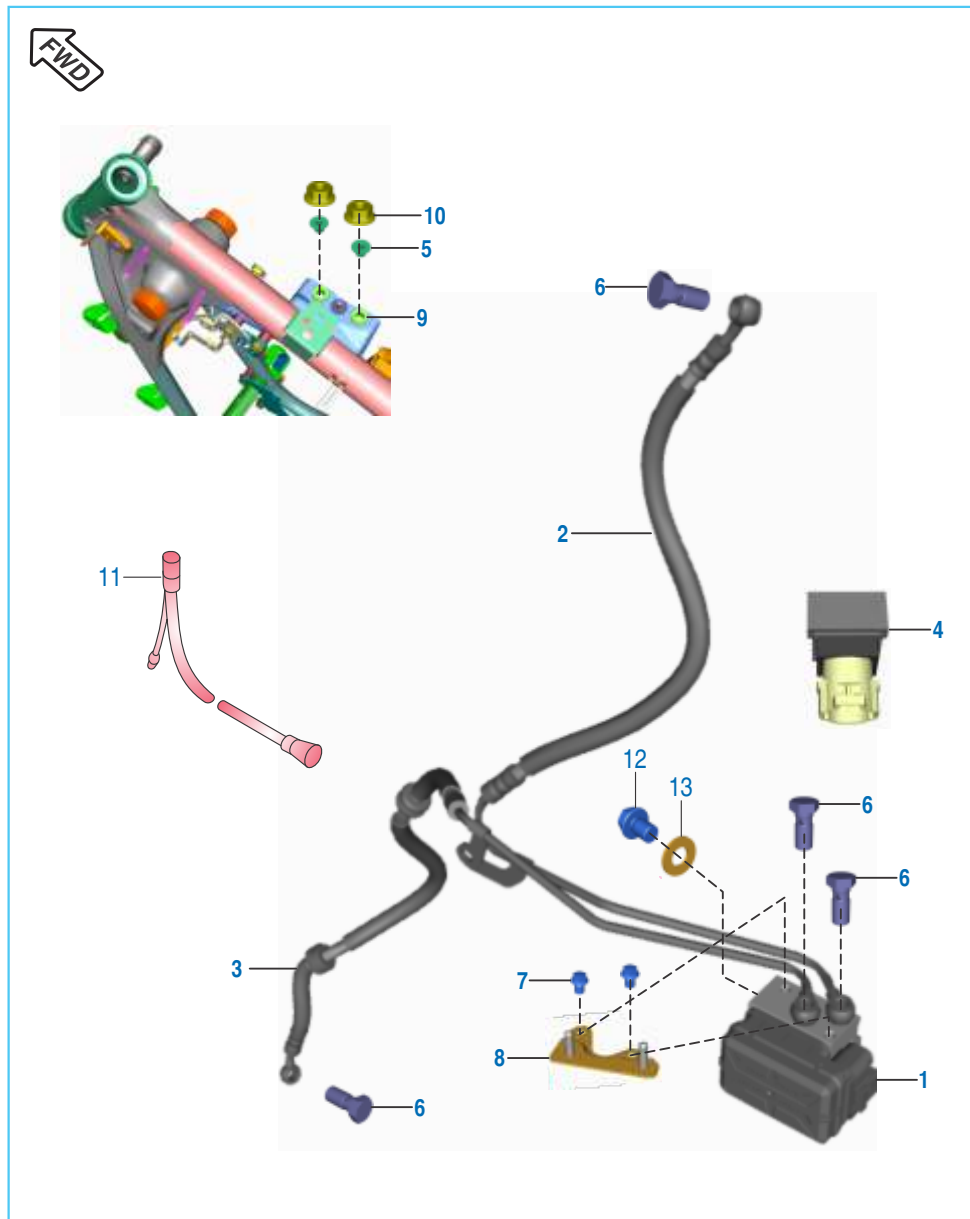
No.	Part No.	Description	Qty.	Remarks
1	36 PD00 50	Major Kit - Master Cylinder	1	
1A	36 PD00 51	Minor Kit - Master Cylinder	1	
2	36 PD00 73	Hose Brake Front	1	
3	DV 1910 07	Lever Grip RH	1	
4	36 PD00 54	Banjo Bolt Kit	1	
5	DJ 1910 26	Washer Copper	4	
6	DJ 1910 27	Clamp Holder RH	1	
7	DJ 1910 28	Bolt	2	
8	DJ 1910 29	Bolt Front Brake Lever	1	
9	DJ 1910 30	Nut Flanged	1	
10	DJ 1910 31	Screw	2	
11	DJ 1910 34	Reservoir Cover	1	
12	DJ 1910 35	Diaphragm	1	
13	36 PD00 53	Kit Master Cylinder Seals	1	
14	DJ 2011 09	Front brake switch	1	
15	DH 1910 62	Oil Window Kit	1	
16	PD 1318 87	Cylinder assembly master front	1	
17	DG 1810 40	Clamp	1	
18	39 0711 11	Plain washer	1	
19	KA ED06 16	Bolt flanged small	1	

Front Brake - Caliper & Disc



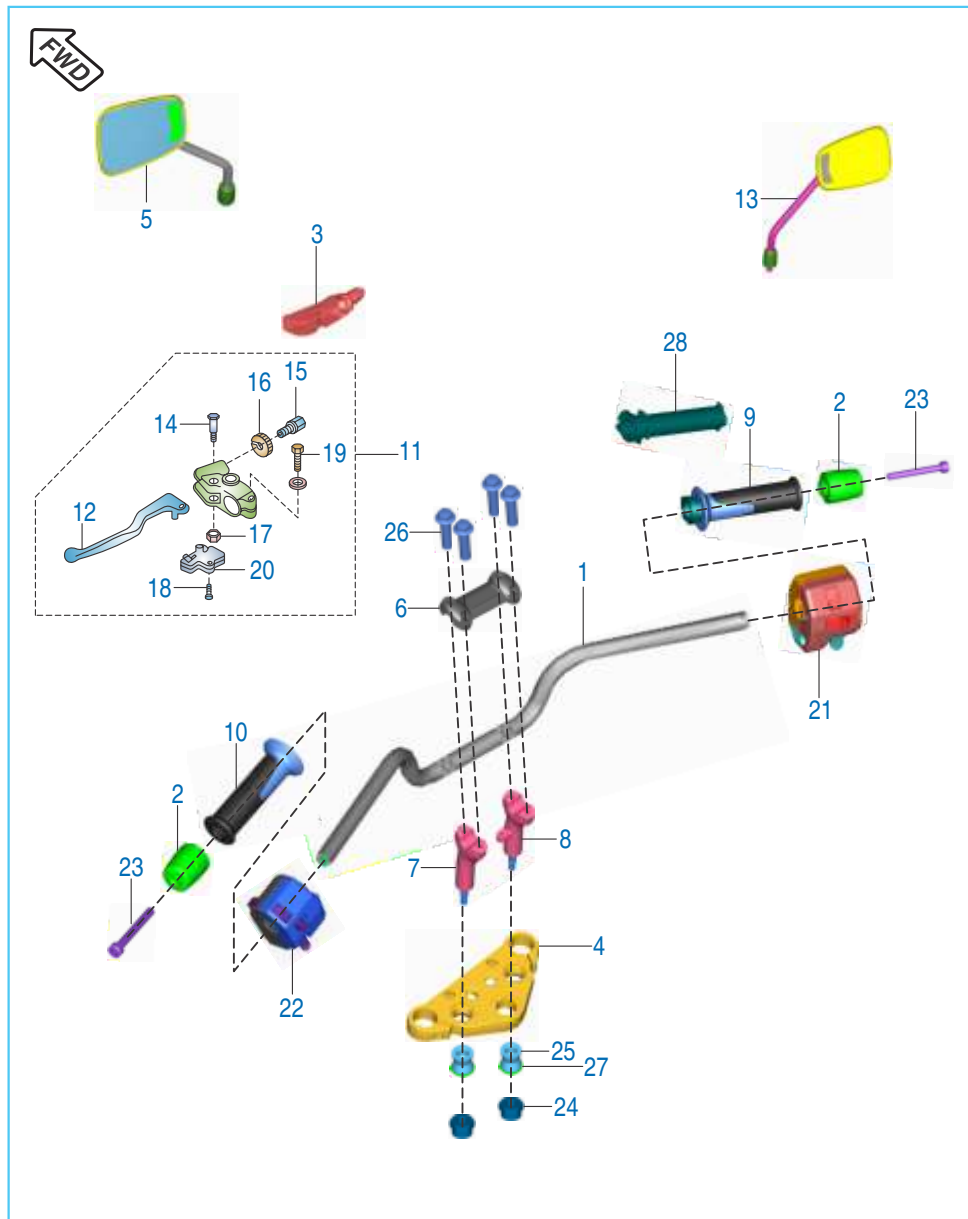
No.	Part No.	Description	Qty.	Remarks
1	PD 1318 24	Caliper assembly front ABS	1	
2	DH 1510 39	Bolt - Flange :- Pre-coated (M8)	2	Caliper Mounting
3	JW 1318 07	Disc Pad Set	1	
4	36 PD00 43	Kit Cal Assly-pad Spring	1	
5	DE 1510 46	Bleeder Screw	1	
6	DE 1510 47	Bleeder Cap	1	
7	36 PD00 44	Kit Caliper assembly pad pin	1	
8	36 PD00 45	Kit Caliper Bracket	1	N.I.
9	DE 1510 45	Dust cover	1	
10	36 JF00 16	Minor Kit - Caliper	1	
11	36 JF00 15	Major Kit - Caliper	1	

Anti Lock Braking System (ABS)



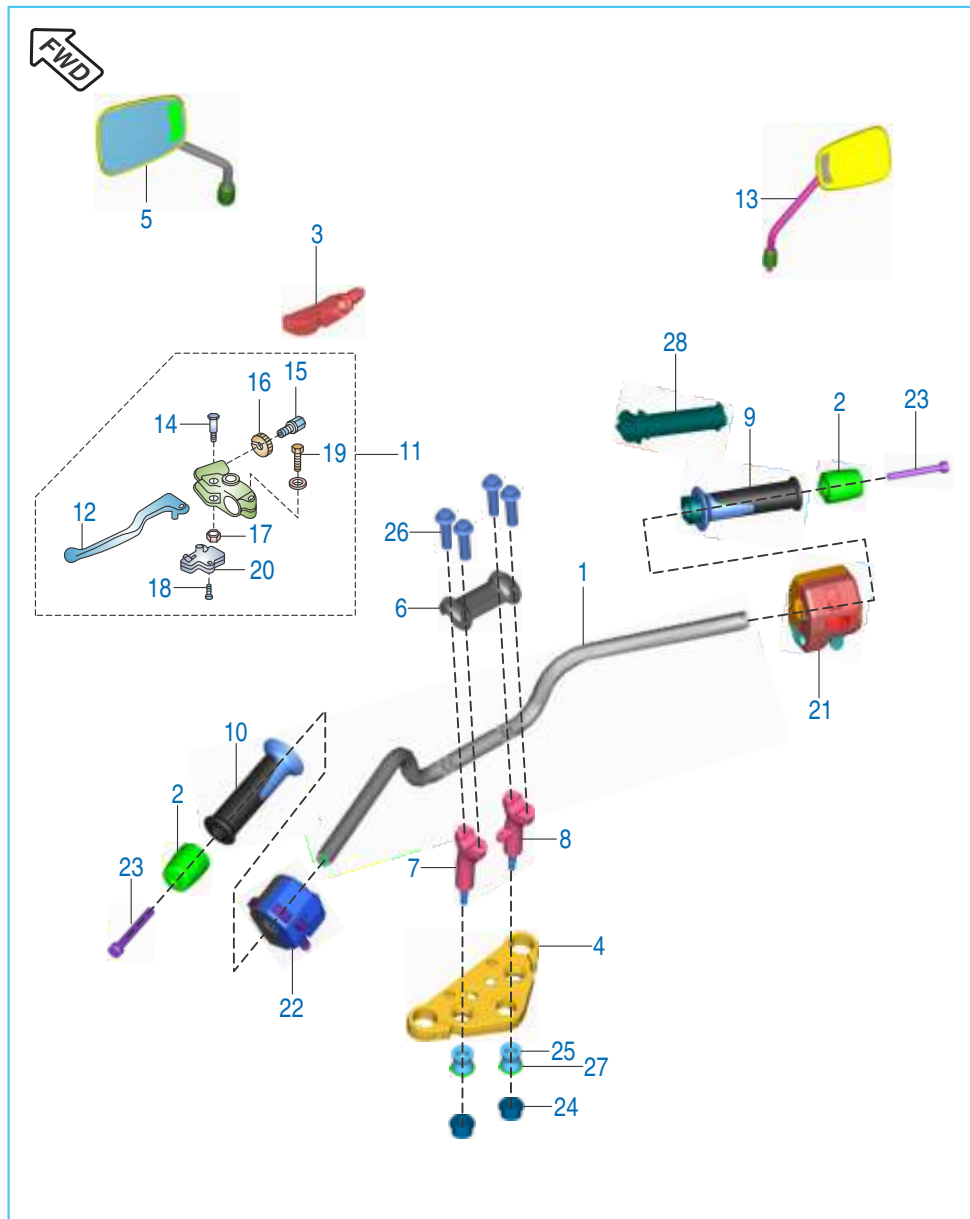
No.	Part No.	Description	Qty.	Remarks
1	PD 1318 58	Unit ABS	1	
2	36 PD00 89	Hose assly. mast. cyl. to ABS unit	1	
3	36 PD00 90	Hose assly. ABS unit to caliper	1	
4	JG 4020 05	Unit can termination	1	
5	JP 1812 80	Collar head lamp holder mtg	1	
6	36 PD00 91	Benjo bolt kit	1	
7	KA ED06 08	Bolt flanged small	1	
8	PD 1138 23	Bracket ABS	1	
9	JD 1138 14	Grommet	2	
10	KC GA06 06	Nut hex flanged	2	
11	JP 4022 21	Cable earth ABS	1	
12	KA ED06 08	Bolt flanged small	1	
13	KD BB06 13	Washer plain	1	

Handle Bar Assembly



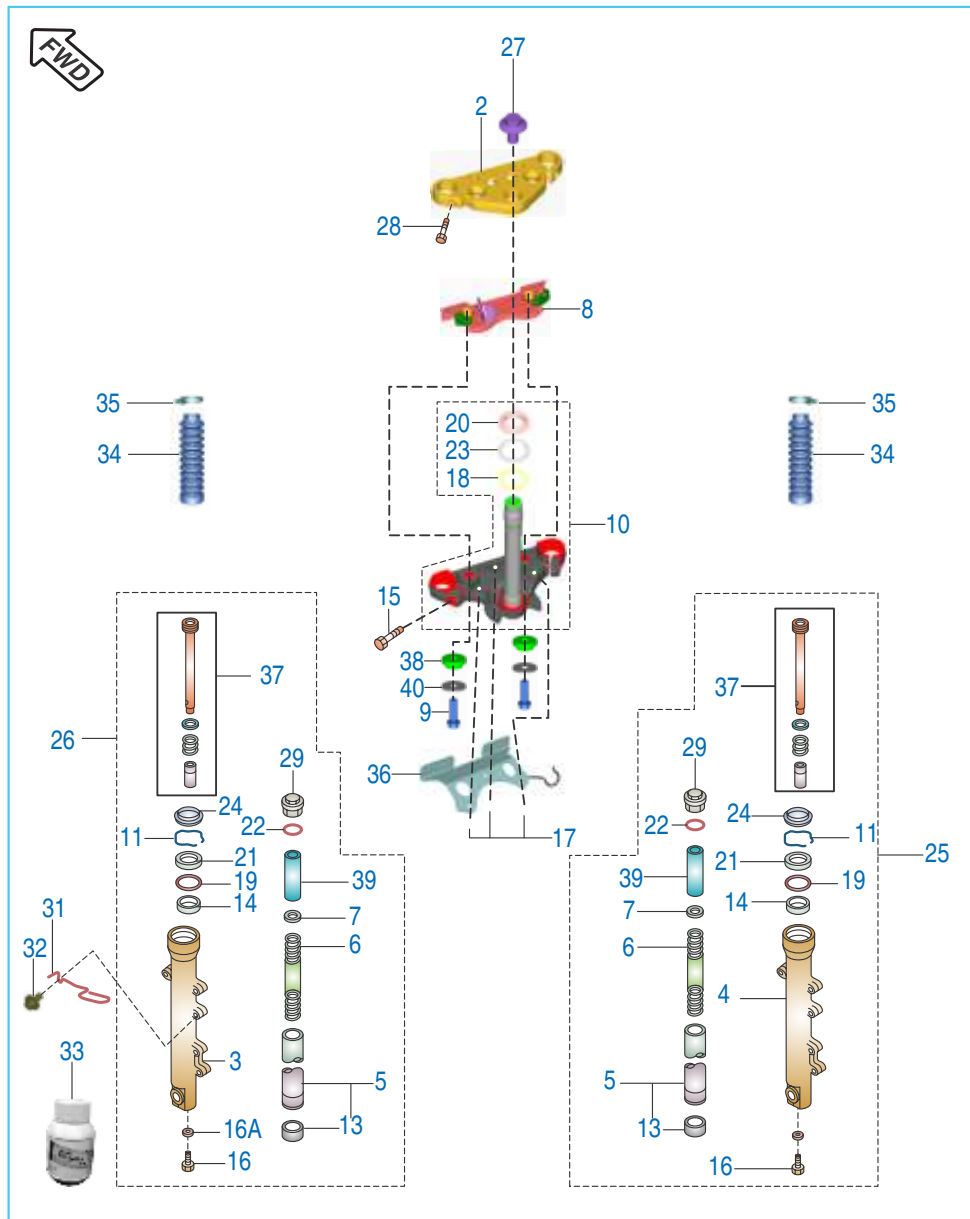
No.	Part No.	Description	Qty.	Remarks
1	PD 1510 00	Handle	1	
2	DK 1810 43	Handle bar weight	2	
3	JM 1910 10	Lever Boot - Clutch Lever	1	
4	PD 1510 20	Holder fork upper	1	
5	PD 2316 04	Mirror Assembly LH (Plastic Housing)	1	
6	PD 1510 01	Holder Handle Upper	1	
7	PD 1510 04	Holder Handle Lower LH	1	
8	PD 1510 05	Holder Handle Lower RH	1	
9	PD 1610 04	Grip RH	1	
10	PD 1610 01	Grip LH	1	
11	DG 1910 10	Lever Assly. Grip Clutch LH	1	
12	DG 1910 12	Lever Grip	1	
13	PD 2316 05	Mirror Assembly RH (Plastic Housing)	1	
14	DG 1910 13	Bolt Clutch Lever	1	
15	30 1910 24	Screw cable Adjust	1	
16	30 1910 17	Nut Cable Adjust Lock	1	
17	DG 1910 14	Nut Lock	1	
18	KB CG03 16	Screw CSK Cross - M3	2	
19	KA AL06 22	Bolt - M6	1	
20	DG 2010 30	Clutch Switch	1	
21	PD 4014 24	Switch control RH	1	
22	PD 4014 04	Control Switch LH	1	

Handle Bar Assembly



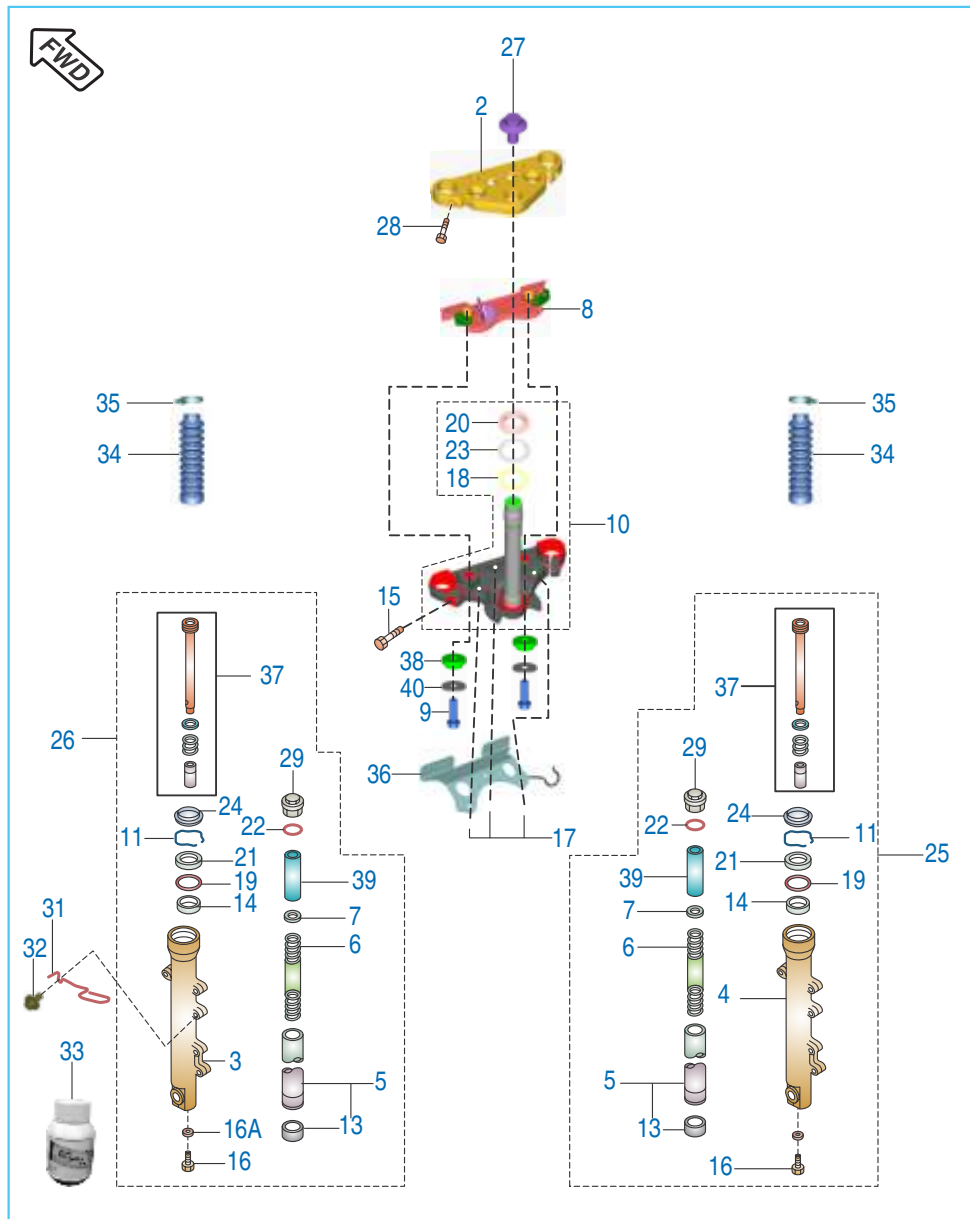
No.	Part No.	Description	Qty.	Remarks
23	KA CJ06 50	Bolt socket - M6	2	
24	LC H000 01	Nut nyloc M10	2	
25	DG 1810 54	Damper	4	
26	59 0400 03	S. S. Hex flange head bolt	4	
27	DG 1810 96	Washer	2	
28	DH 1910 17	Throttle pipe	1	

Front Fork



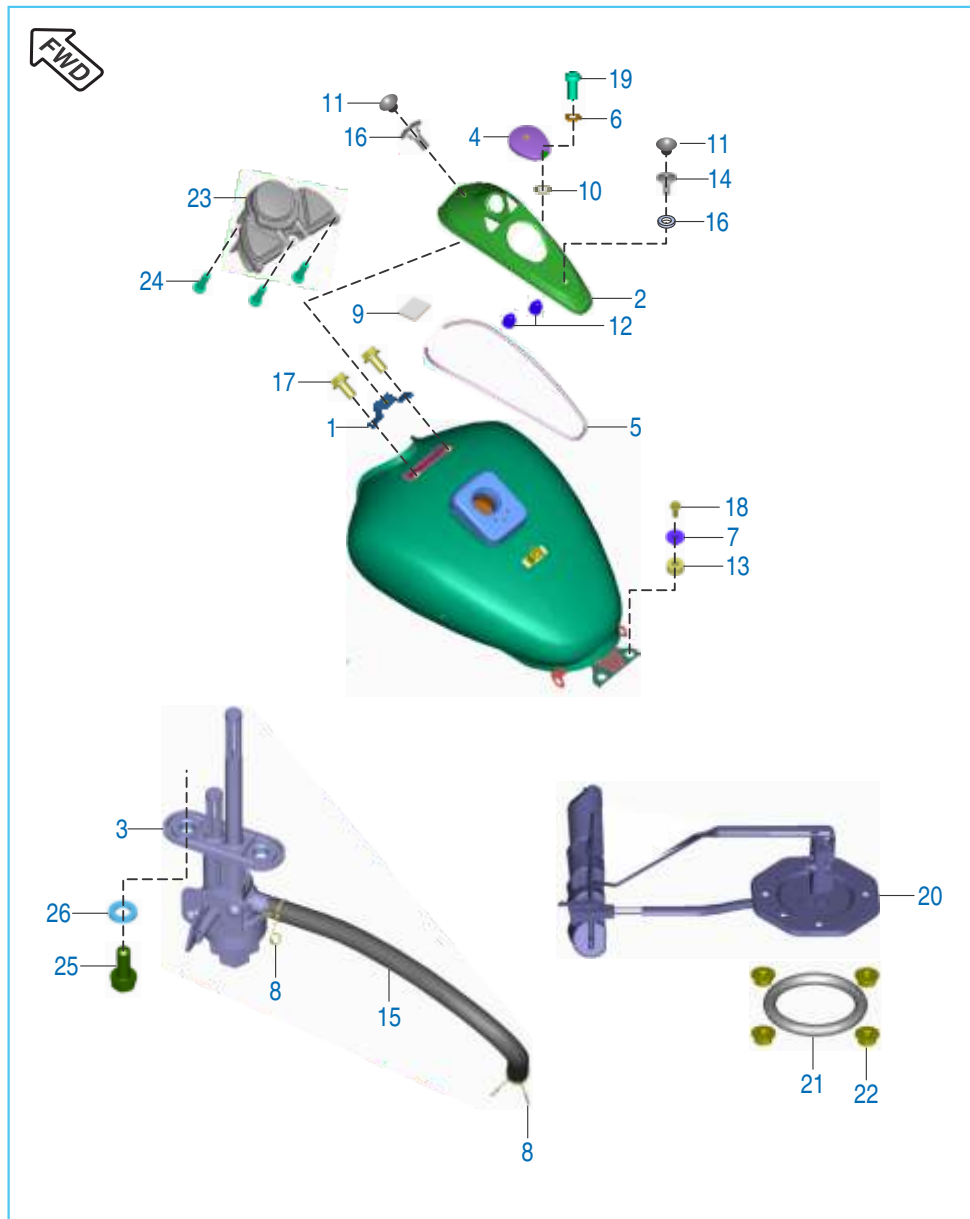
No.	Part No.	Description	Qty.	Remarks
1	PD 1210 07	Front Fork	1	
2	PD 1510 20	Holder Fork Upper	1	
3	PD 1210 09	Tube Outer LH	1	
4	PD 1210 10	Tube Outer LH	1	
5	DV 1810 13	Fork Pipe Inner	2	
6	DG 1810 14	Spring Front Fork	2	
7	DG 1810 15	Seat Fork Spring	2	
8	PD 1812 23	Bracket Cover Fork	1	
9	KA ED06 20	Bolt flanged small	2	
10	PD 1210 15	Under Bracket Assly	1	
11	DG 1810 22	Ring, Oil Seal Stopper	2	
12	LD B000 14	Washer plain	2	
13	DG 1810 11	Bushing - Front Fork, Inner Pipe	2	
14	DG 1810 13	Bushing - Front Fork, Outer Tube	2	
15	DG 1810 06	Bolt Socket	2	
16	KA CF08 30	Bolt, Fork Cylinder	2	
16A	30 1810 26	Gasket	2	
17	KA DF06 14	Bolt flanged	3	
18	DG 1810 03	Washer	1	
19	DG 1810 24	Spacer	2	
20	DG 1810 05	Race, Steering Stem Bearing	1	
21	36 PD00 82	Fork oil seal kit	2	

Front Fork



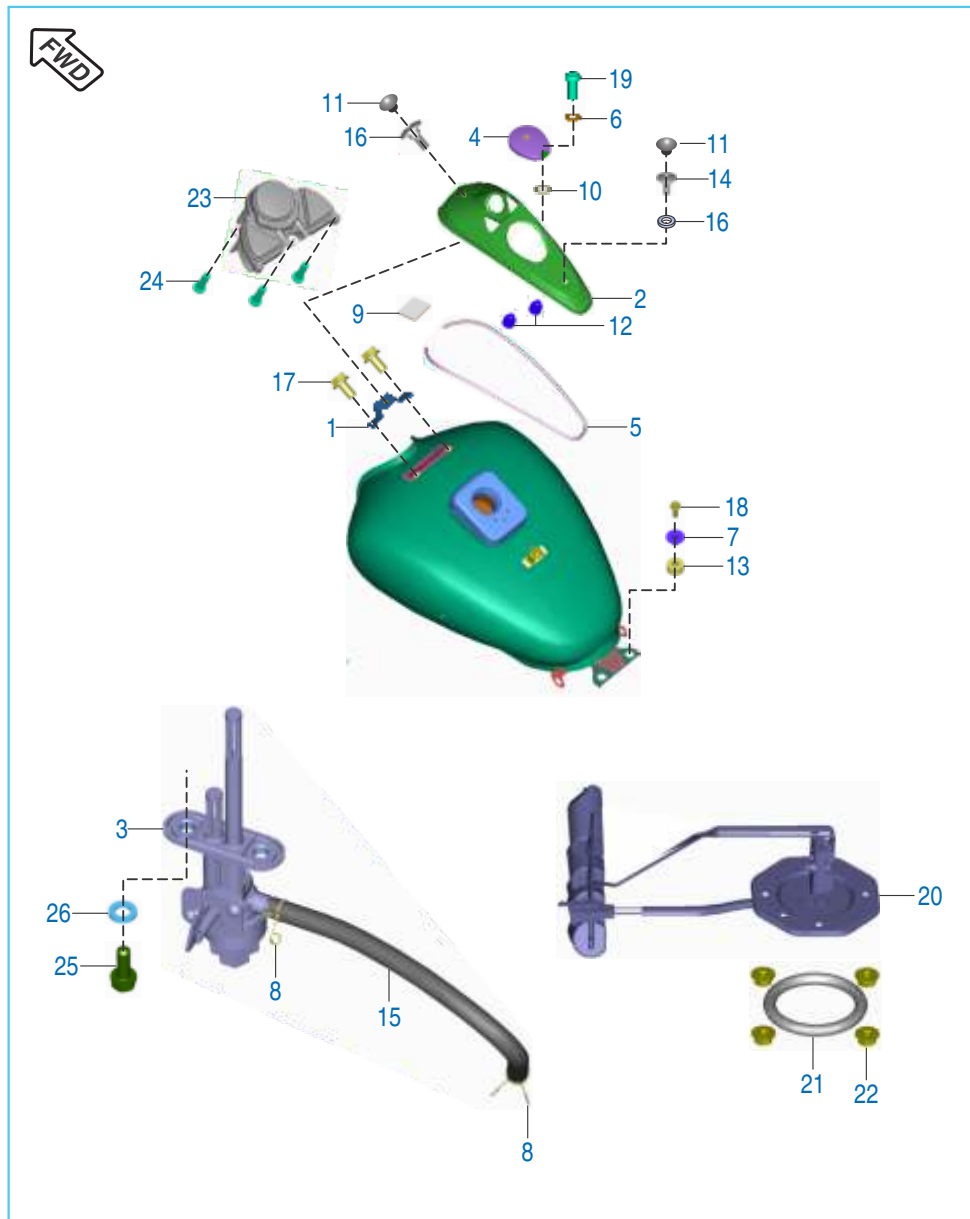
No.	Part No.	Description	Qty.	Remarks
22	DG 1810 26	Ring 'O' Fork Top	2	
23	DG 1810 04	Seal Oil, Steering Stem	1	
24	DG 1810 21	Seal, Fork Outer Tube	2	
25	PD 1210 12	Leg Assly. RH	1	
26	PD 1210 11	Leg Assly. LH	1	
27	59 0400 05	Bolt With Washer M16 x 28L	1	
28	DG 1810 08	Bolt	2	
29	DG 1810 25	Bolt - front fork	2	
30	DP 1611 44	Plate Number Front	1	N. I.
31	DG 1810 41	Clamp S' cable clamp	1	
32	DG 1810 36	Bolt flanged washer	1	
33	36 3140 04	Front Fork oil Bottle 160ml	1	
34	PD 1210 06	Bellow	2	
35	PD 1210 14	Clamp Bellow	2	
36	PD 2328 19	Bracket Front Number Plate	1	
37	DG 1810 28	Cylinder Complete Fork	2	
38	PD 1812 43	Collar	2	
39	DG 1810 24	Spacer	2	

Fuel Tank



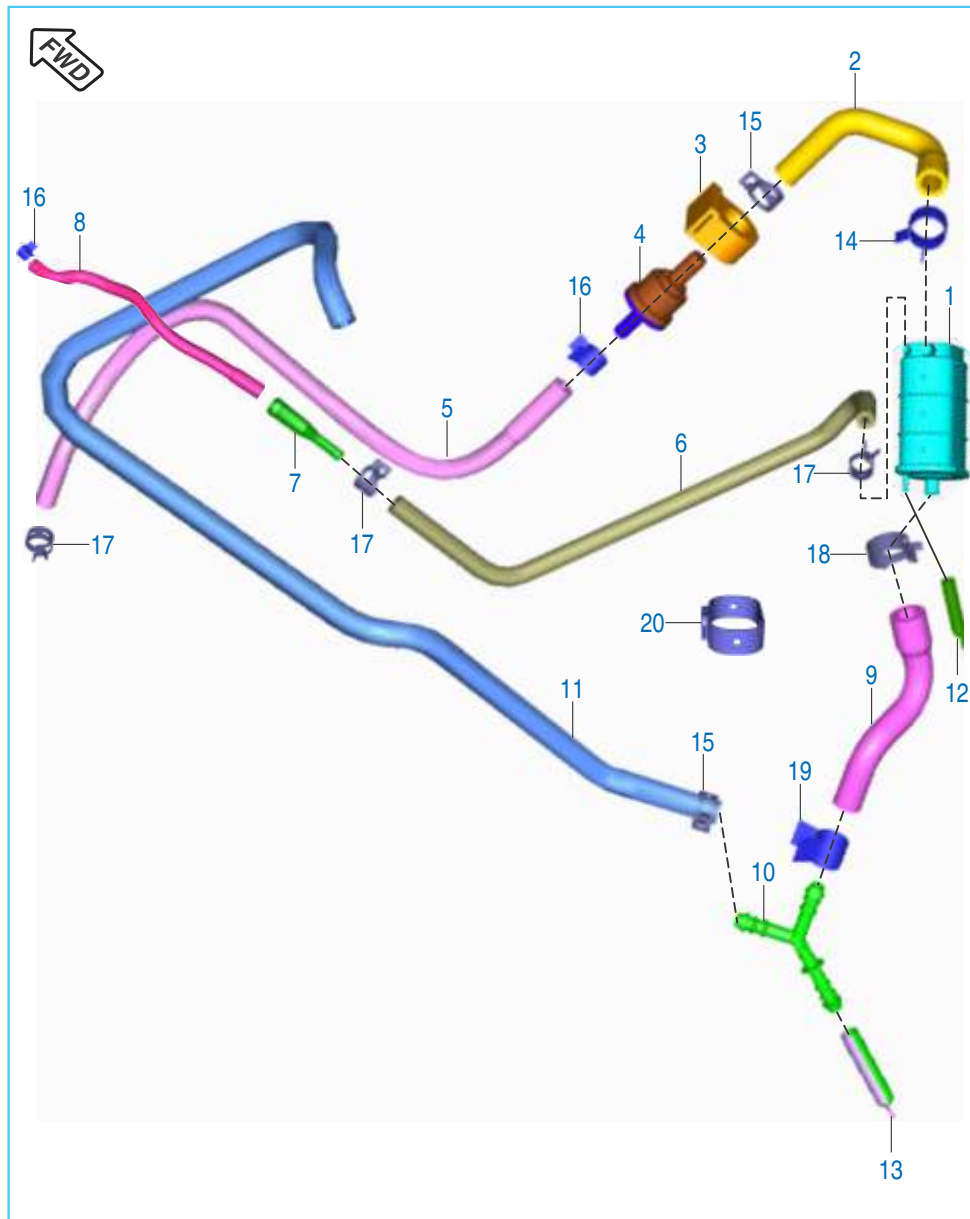
No.	Part No.	Description	Qty.	Remarks
1	PD 1710 48	Bracket Cover Tank	1	
2	PD 1710 08	Cover Fuel Tank Satin Black	1	
3	DJ 1410 56	Fuel Cock Assly.	1	
4	PD 1716 12	Cap Tank Fuel	1	
5	DG 1410 59	Trim	1	
6	LD A000 43	Washer	2	
7	PD 1710 03	Collar	2	
8	33 1410 08	Clamp	1	
9	DG 1410 43	Clamp	1	
10	30 1410 31	Ring 'O'	2	
11	DG 1410 24	Plug	2	
12	DG 1410 25	Damper	2	
13	DG 1410 19	Damper	2	
14	DG 1410 26	Bolt	2	
15	JM 1410 09	Fuel Pipe	1	
16	DG 1410 27	Washer	2	
17	KA DF06 12	Bolt	2	
18	KA DF06 22	Bolt Flanged	2	
19	LB B000 14	Screw Pan Cross	2	
20	PD 4026 02	Fuel gauge assembly	1	
21	JH 1710 17	O ring fuel gauge	1	
22	KC GA05 05	Nut hex flanged	4	

Fuel Tank



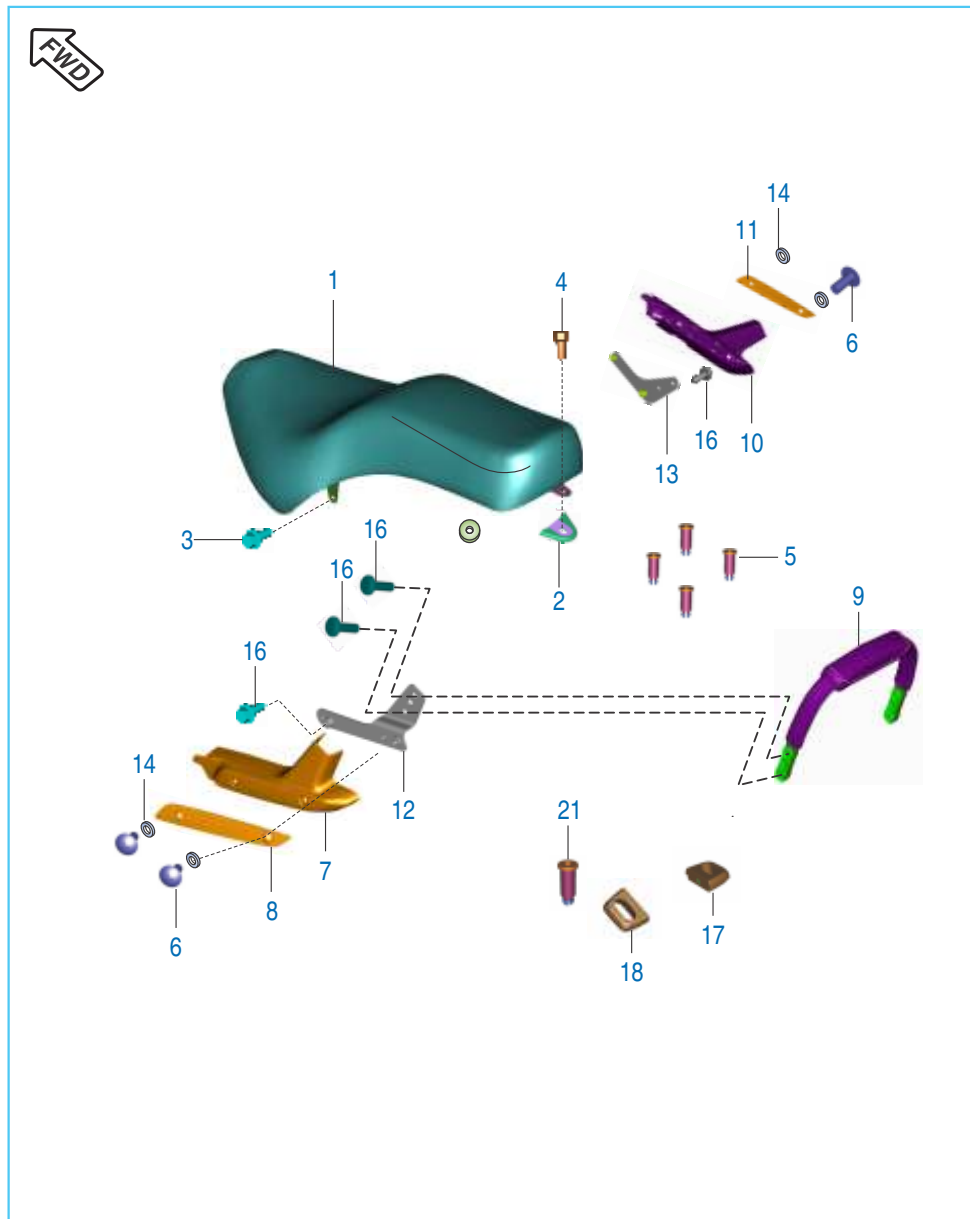
No.	Part No.	Description	Qty.	Remarks
23	PD 4026 08	Console tell tale	1	
24	KB RA35 10	Screw tapping pan cross	3	
25	DD 1412 27	Bolt Fuel Cock Mounting	2	
26	39 0740 11	Washer	2	
27	PA 4010 18	LED Bulb	3	N.I.
28	GF 2010 50	Bulb 12V, 1.7 W	1	N.I.

EVAP Mechanism



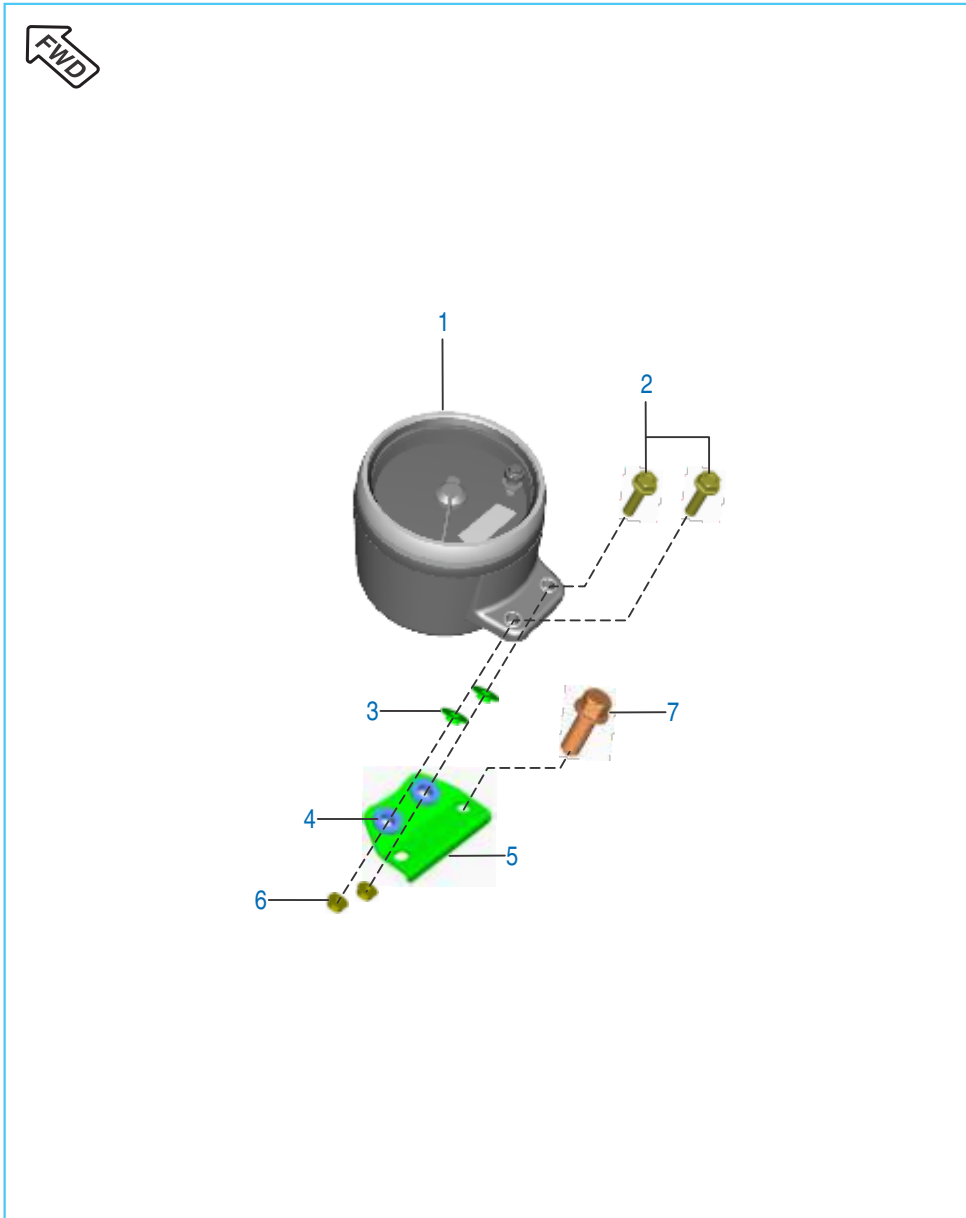
No.	Part No.	Description	Qty.	Remarks
1	JY 1710 77	Canister	1	
2	PD 1716 05	Tube Canister to Purge Valve	1	
3	JH 1710 48	Grommet Purge Valve	1	
4	PD 1716 16	Valve Purge	1	
5	PD 1716 06	Tube Purge Valve To Carburettor	1	
6	PD 1716 04	Tube inline connector to canister	1	
7	JG 1710 86	Connector Tube EVAP	1	
8	PD 1716 02	Tube Tank To Inline Connector	1	
9	PD 1716 09	Tube Canister Breather	1	
10	JY 1138 42	Connector Y Shape	1	
11	PD 1716 19	Tube Y-connector breather canister	1	
12	PD 1710 29	Tube Canister Drain	1	
13	DM 1210 14	Tube oil drain	1	
14	JY 1710 69	Spring band clamp 15 x 10	1	
15	JL 1711 02	Clamp band spring 12.5 x 8	2	
16	JG 1710 29	Spring band clamp 11.5 x 8.4	2	
17	JL 1711 01	Clamp band spring 9.5 x 8.4	3	
18	JH 1716 02	Clamp - canister breather	1	
19	JY 1710 90	Spring Band Clamp 13 x 12	1	
20	JZ 1710 55	Strap canister	2	

Seat / Grip Frame Rear / Cover Grip Frame



No.	Part No.	Description	Qty.	Remarks
1	PD 1910 09	Seat Assly.	1	
2	PD 1910 01	Washer Nylon	1	
3	LA G000 10	Bolt - M6	2	
4	KA DA06 14	Bolt Flanged	1	
5	PD 2314 12	Nail	4	
6	KB UA06 16	Screw truss	4	
7	PD 1812 12	Cover Grab Rear LH	1	
8	PD 1812 14	Side Plate Grip LH	1	
9	PD 2314 20	Grab Rear	1	
10	PD 1812 13	Cover Grip Rear RH	1	
11	PD 1812 15	Side Plate Grip RH	1	
12	PD 2314 02	Grip frame LH	1	
13	PD 2314 03	Grip frame RH	1	
14	KD BA06 13	Washer Plain	4	
15	LA C000 90	Bolt flanged	4	
16	KA DF08 25	Bolt flanged	4	
17	PD 2314 11	Cap Grab Rail RH	1	
18	PD 2314 04	Cap Grab Rail LH	1	

Speedometer



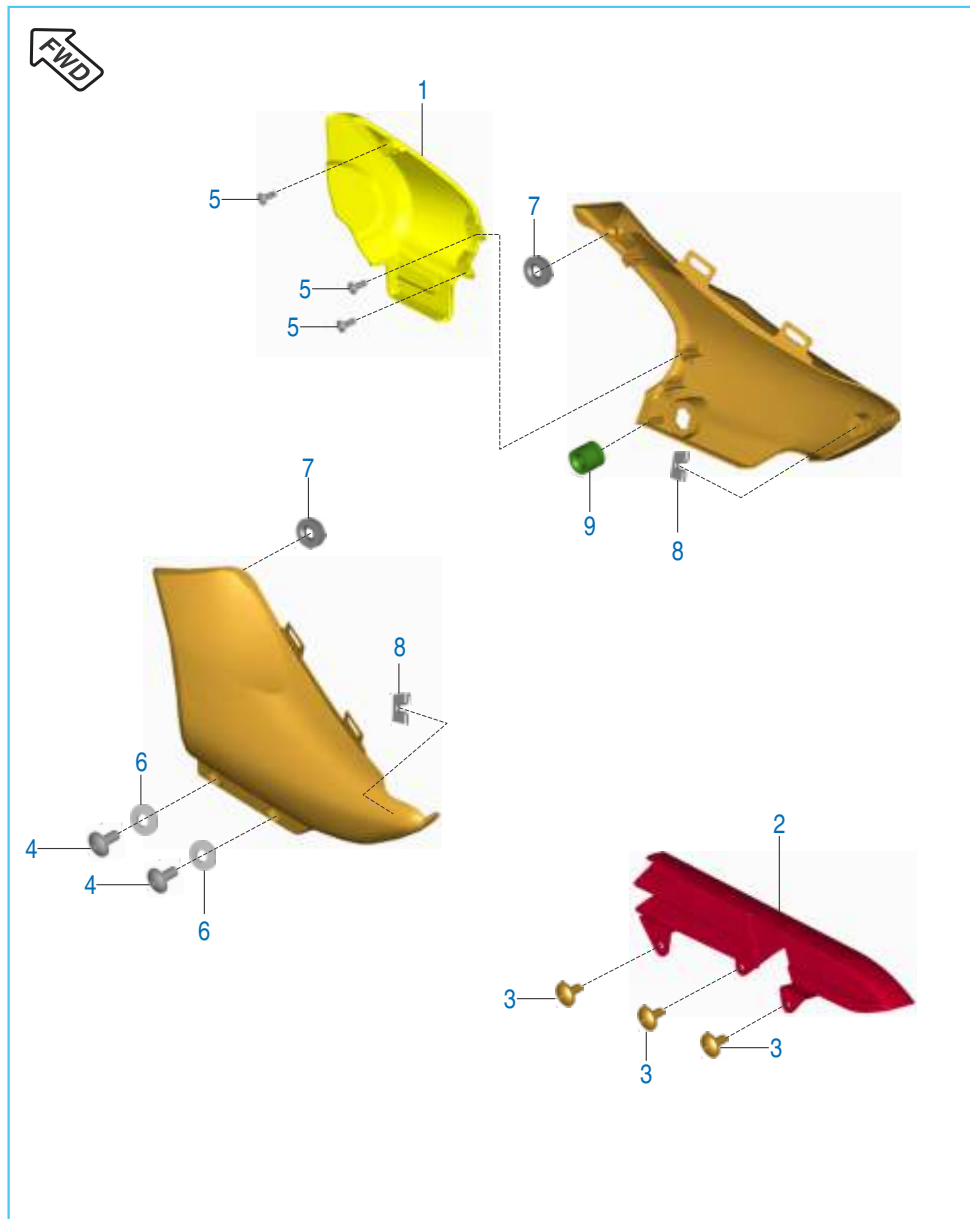
No.	Part No.	Description	Qty.	Remarks
1	PD 4024 02	Speedometer ABS	1	
2	59 0400 02	S. S. Hex head collar bolt	2	
3	DV 1810 10	Collar speedo mtg	4	
4	DV 1810 09	Grommet speedo mtg.	2	
5	DV 1810 08	Bracket Speedo	1	
6	KC GA06 06	Nut hex flanged	2	
7	59 0400 01	S.S. Hex head collar bolt	2	

Cables



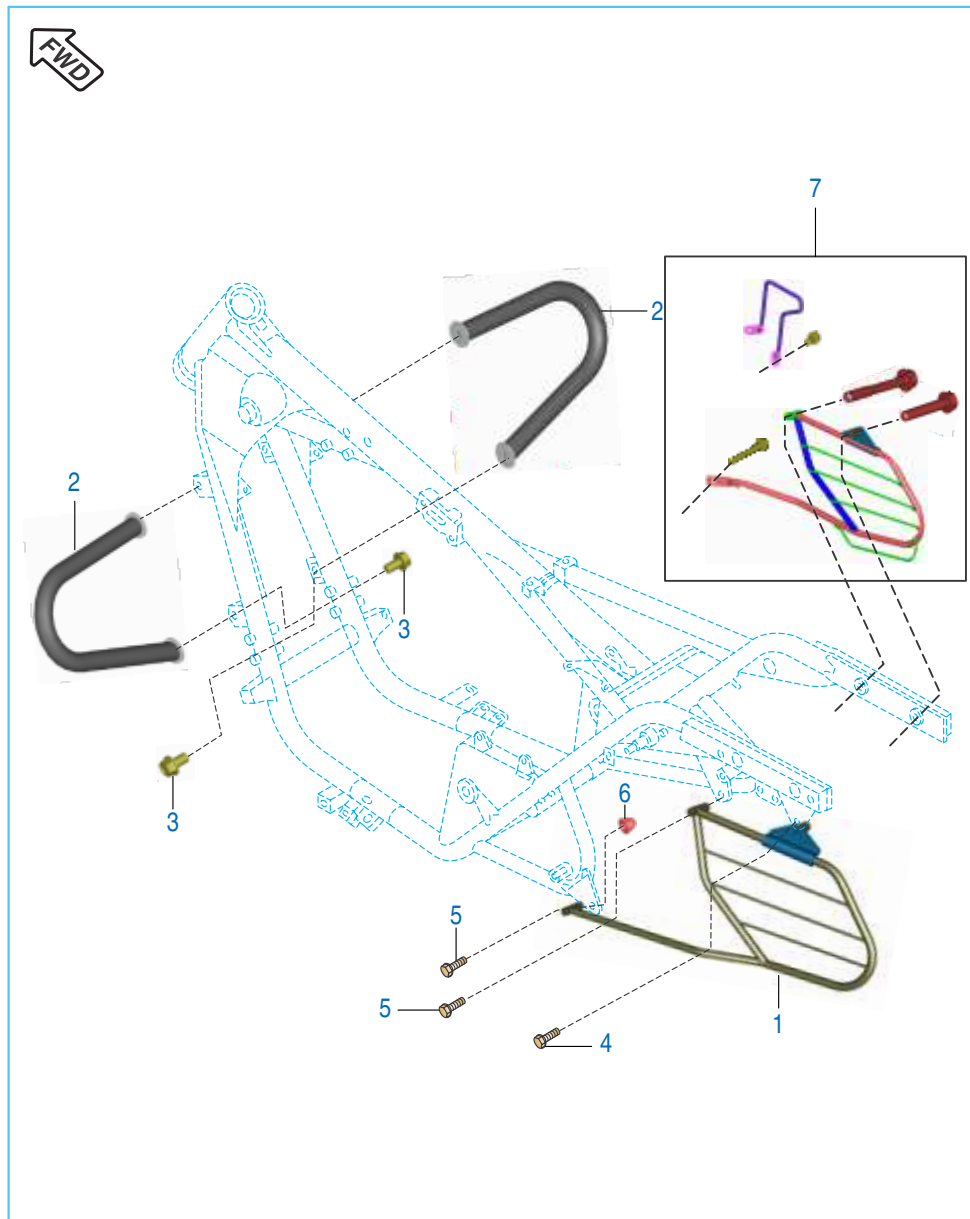
No.	Part No.	Description	Qty.	Remarks
1	30 1910 35	Spring, Brake Rod	1	
2	JM 1910 13	Cable brake rear	1	
3	PD 1612 07	Cable Clutch	1	
4	PD 1612 08	Cable Throttle	1	
5	30 1910 36	Nut Brake Rod	1	
6	DG 1910 65	Washer	1	
7	DG 1910 50	Pin Brake Rod	1	

Side Covers / Chain Cover



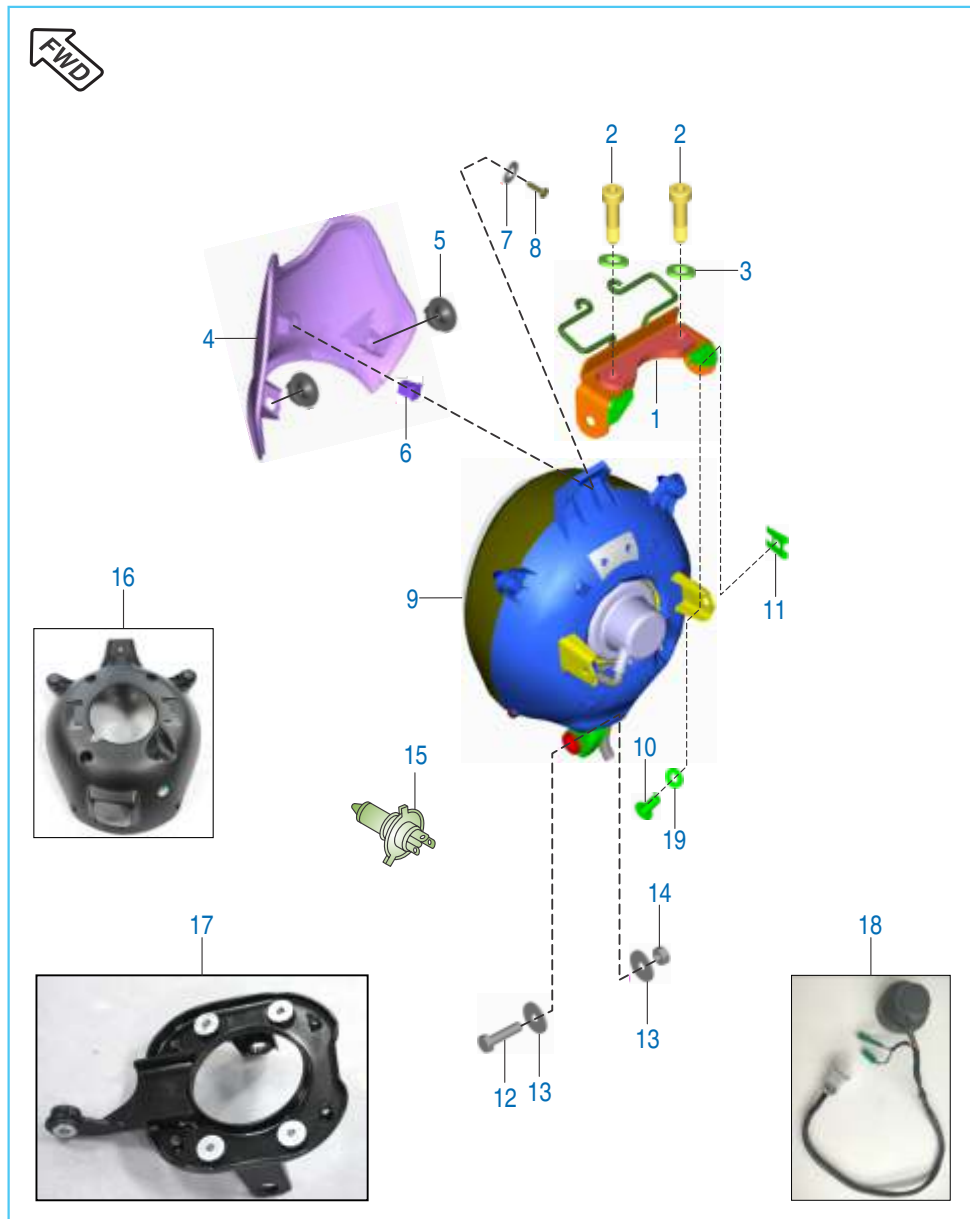
No.	Part No.	Description	Qty.	Remarks
1	DG 1612 20	Cover - Side R	1	
2	DG 1611 20	Case Chain	1	
3	DG 1611 21	Screw Tapping	3	
4	39 1076 01	Screw	2	
5	DG 1611 17	Screw	3	
6	31 1610 78	Washer	2	
7	DG 1611 18	Grommet	2	
8	DD 1610 22	Damper	2	
9	DG 1612 25	Damper	1	

Guards



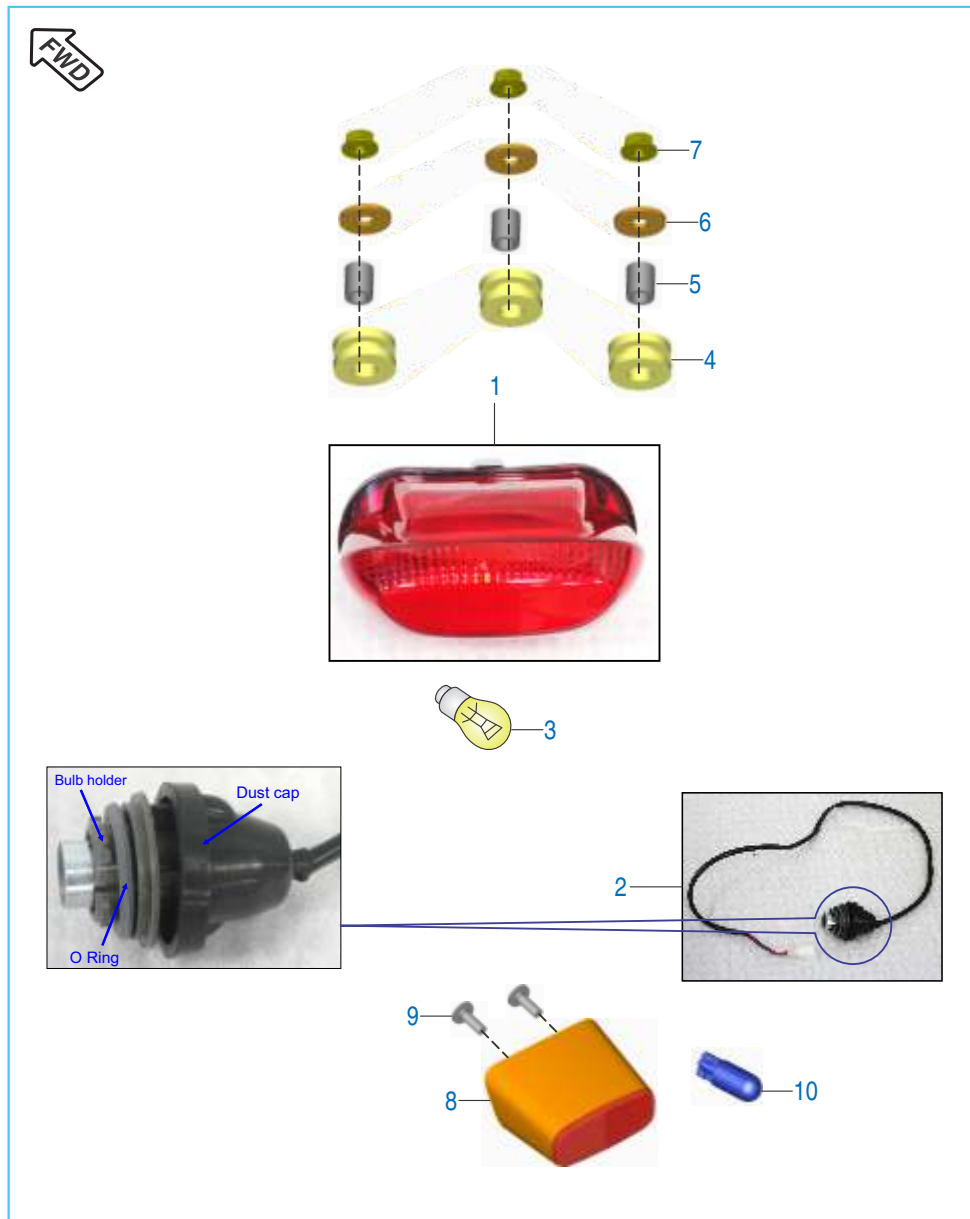
No.	Part No.	Description	Qty.	Remarks
1	PD 2312 01	Guard Sari	1	
2	PD 2312 02	Guard - Front Bumper	2	
3	KA DD08 14	Bolt Flanged	4	
4	KA DU08 40	Bolt Flanged	1	
5	KA DU08 55	Bolt Flanged M8	2	
6	39 2535 15	Nut - domed cap - M8	1	
7	36 PD00 78	Kit saree guard + grab + fitting	1	Refer Kit List

Head Light



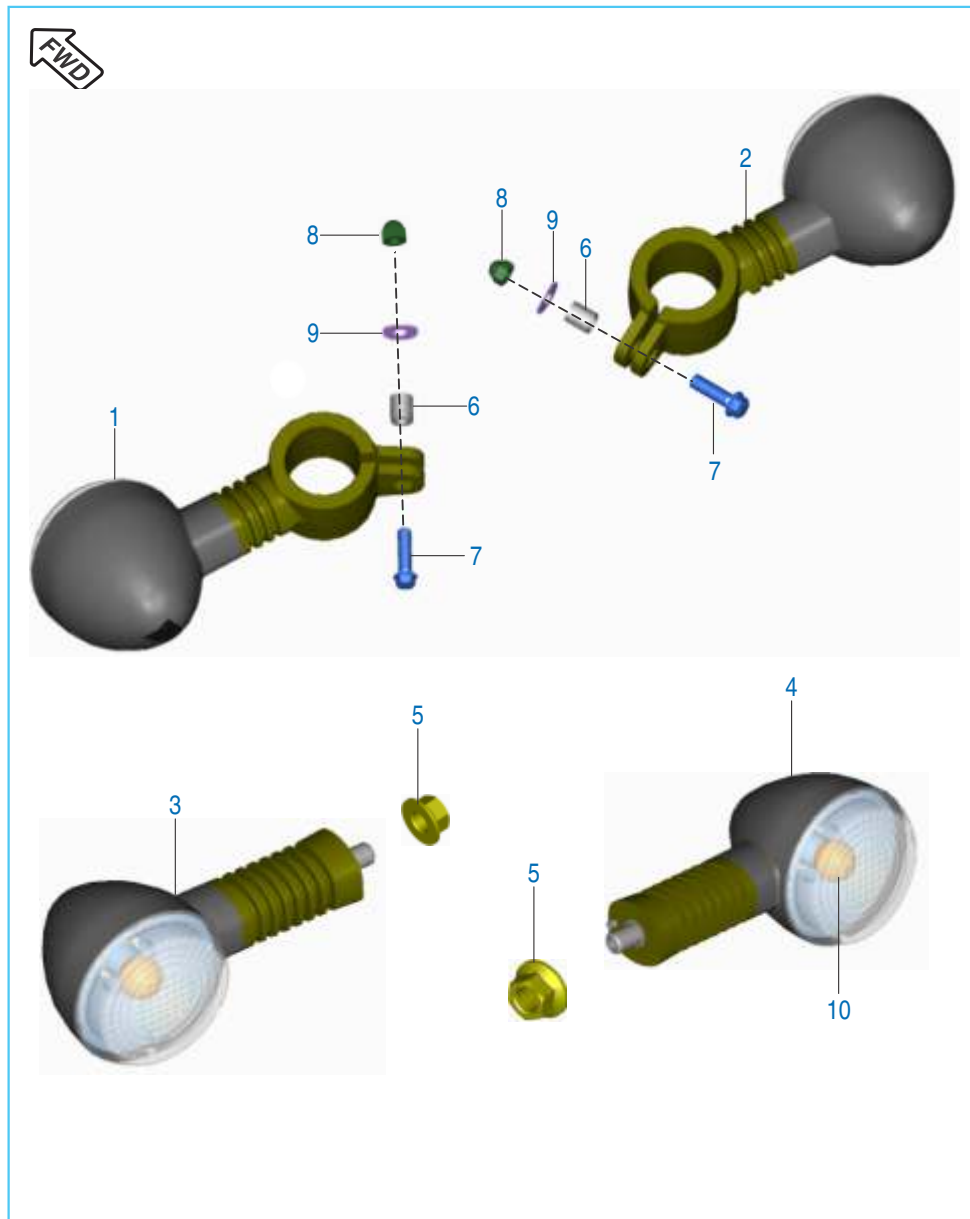
No.	Part No.	Description	Qty.	Remarks
1	PD 1812 41	Bracket lamp head upper	1	
2	LA C000 16	Bolt socket M8 x 35	2	
3	LD A000 34	Washer plain	2	
4	PD 1812 22	Visor	1	
5	JP 1812 29	Grommet ignition switch cover	2	
6	PD 1812 45	Nut special	1	
7	KD AE05 10	Washer plain	1	
8	KB RA48 19	Screw tapping pan cross	1	
9	YP D140 01	Head lamp with DRL & without Bulb	1	
10	PD 1812 39	Pin	2	
11	JG 1812 43	Securing clip - Piv bolt - mask carrier	2	
12	LA C000 27	Bolt socket head	1	
13	LD B000 14	Plain washer	2	
14	LC L000 02	Nut flange - M6	1	
15	PD 4010 14	Bulb H4 Blue Tinge - 55/60W	1	
16	YP D140 02	Back cover with hardware	1	
17	YP D140 03	Head light mounting bracket	1	
18	YP D140 04	Wiring harness	1	
19	LD B000 83	Washer	2	

Tail Light / Reflector Reflex



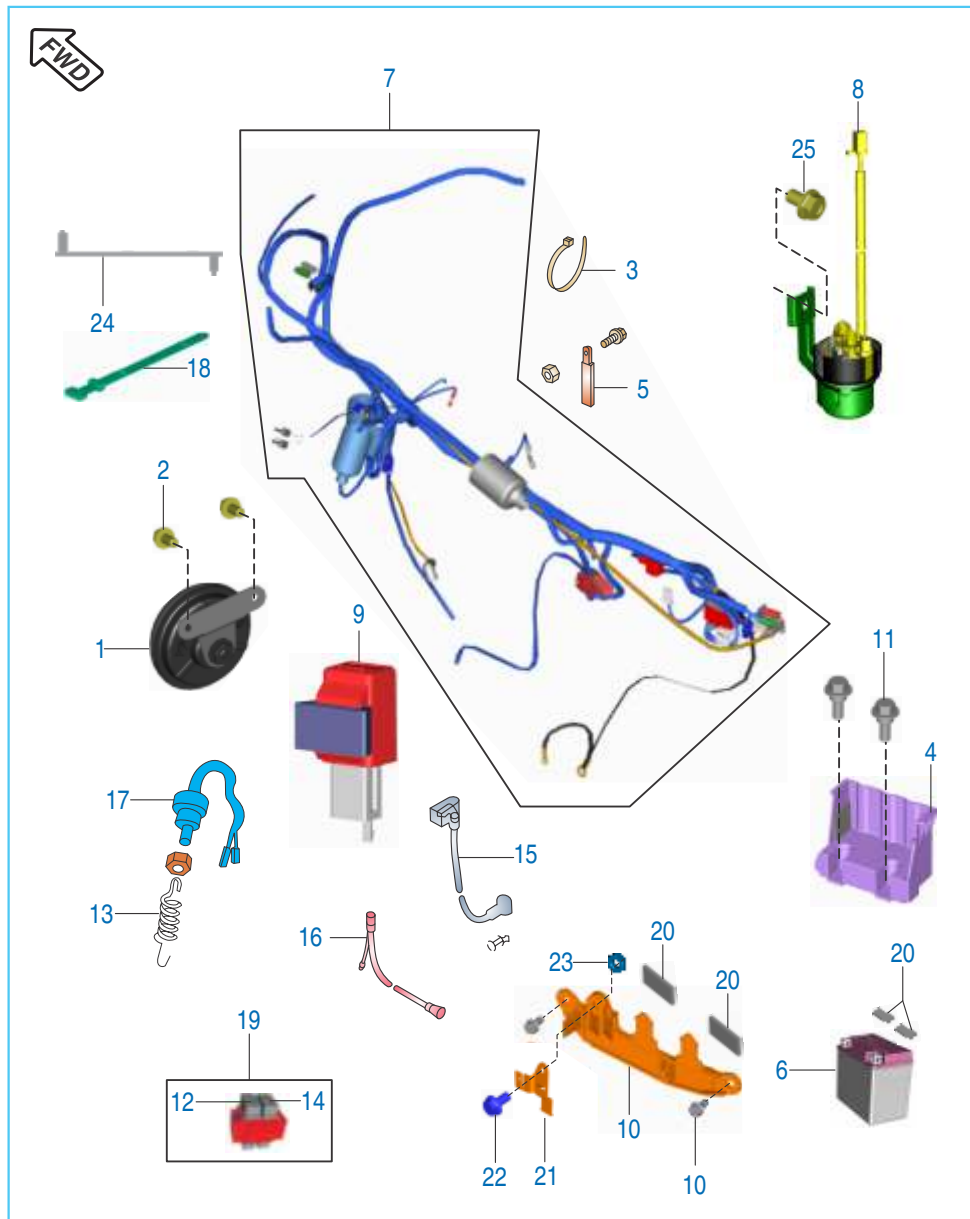
No.	Part No.	Description	Qty.	Remarks
1	YP D150 01	Tail lamp without bulb	1	
2	YP D150 02	Wire holder assembly	1	
3	AA 2012 27	Lamp 12V - 21/5W	1	
4	DG 2010 15	Damper	3	
5	31 2010 01	Collar	3	
6	LD B000 15	Washer plain	3	
7	KC GA06 06	Nut hex flanged	3	
8	PD 4010 38	Lamp number plate illumination	1	
9	LB U000 09	Screw - truss - M5	2	
10	JD 4010 32	Bulb 12V 5W	1	

Indicator Light



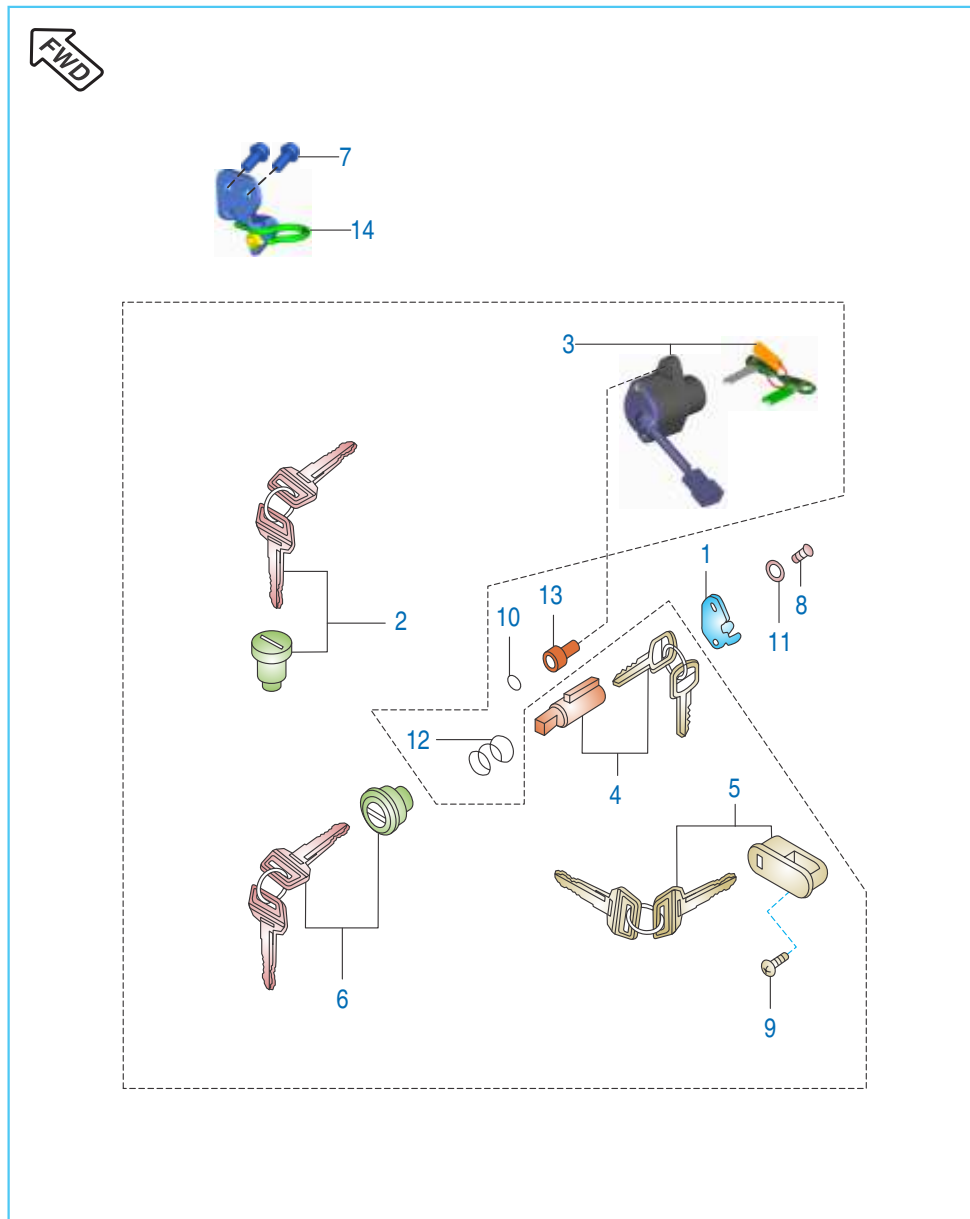
No.	Part No.	Description	Qty.	Remarks
1	PD 4010 45	Indicator front LH	1	
2	PD 4010 46	Indicator front RH	1	
3	PD 4010 32	Indicator LH rear	1	
4	PD 4010 33	Indicator RH rear	1	
5	LC L000 01	Nut	2	
6	31 2010 01	Collar	2	
7	KA EA06 22	Bolt flanged small	1	
8	DG 1810 85	Nut	2	
9	LD B000 23	Plain washer	2	
10	GH 2010 12	Bulb (10W)	4	

Electrical Equipment



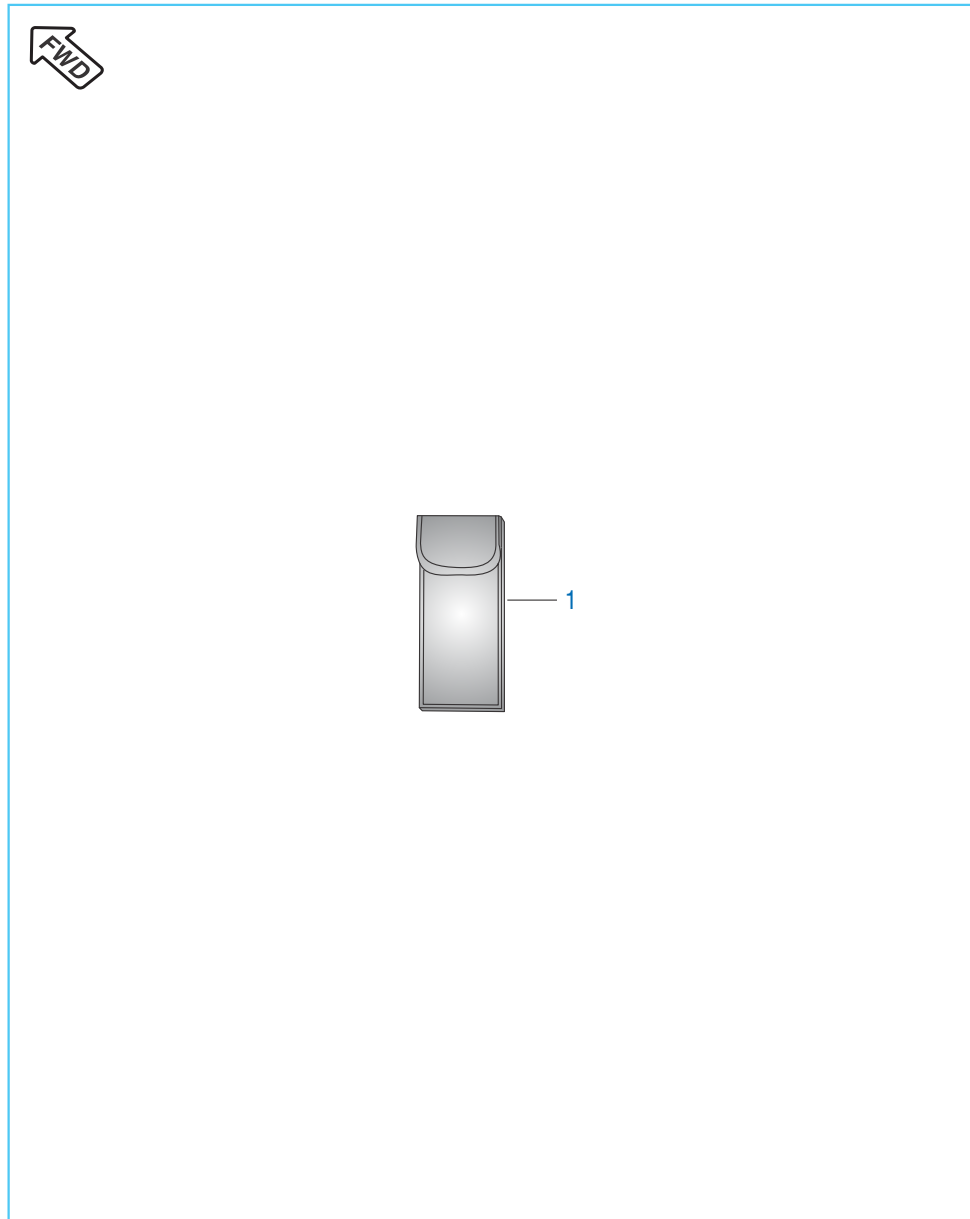
No.	Part No.	Description	Qty.	Remarks
1	PD 4016 01	Horn	1	
2	KA DD06 12	Bolt flanged	2	
3	30 1910 48	Band	3	
4	PD 1810 00	Battery Box	1	
5	DK 2010 49	Clamp wiring harness	1	
6	JF 4018 03	Battery 4 Ah VRLA	1	
7	PD 4022 34	Harness wiring	1	
8	DV 2010 16	Starter Relay Assly.	1	
9	DS 2010 25	Flasher	1	
10	DV 1610 36	Band Battery Bracket	1	
11	LA D000 43	Bolt flanged - stepped - M6	2	
12	AK 2010 12	Fuse 10A	2	
13	JM 1910 14	Spring Rear Brake Switch	1	
14	AP 2010 25	Fuse 15A	2	
15	PD 4022 14	Cable Assly. (Motor to St. Rly.)	1	
16	PD 4022 13	Cable Assly. (Battery to Earth)	1	
17	DG 2010 61	Rear Brake Switch	1	
18	JD 4022 17	Band (L 150)	4	
19	JL 4022 07	Fuse box assy with fuse	1	
20	JG 4018 08	Foam battery bkt 35 x 15 x 3	4	
21	PD 1138 06	Bracket fuse	1	
22	KA DD06 12	Bolt flanged	1	
23	KC BA06 04	Nut hex thin	1	
24	PA 4022 04	Band (L 110mm)	3	N.I.
25	KA DD06 10	Bolt flanged	1	

Ignition Switch & Control Switch



No.	Part No.	Description	Qty.	Remarks
1	DG 1810 55	Cap, Steering Lock	1	
2	DG 1410 17	Rotor, Lock, Tank Cap	1	
3	PD 2326 04	Set lock	1	
4	PD 2326 03	Lock Assly Steering	1	
5	DG 2210 09	Lock Assly Helmet	1	
6	DG 1611 68	Lock Assly Side Cover	1	
7	KA EA06 12	Bolt flanged small	2	
8	DG 1810 57	Screw	1	
9	DH 1013 81	Screw	1	
10	DG 2010 23	Plug	1	
11	DG 1810 58	Washer Wave	1	Deleted-01 Mar 18
12	DG 1810 59	Spring Steering Lock	1	
13	KA CA05 16	Bolt master KAC	1	
14	PD 1138 09	Bracket ignition lock mtg loose	1	

Tool Kit



No.	Part No.	Description	Qty.	Remarks
1	JM 2210 03	Tool Kit	1	

Painted Parts and Decals



No.	Part No.	Description	Qty.	Remarks
1	52 PD05 95	Fuel tank ebony black	1	
	52 PD05 98	Fuel tank spicy red	1	
2	52 PD09 70	Side cover LH spicy red	1	
	52 PD09 72	side cover LH ebony black	1	
3	52 PD09 71	Side cover RH spicy red	1	
	52 PD09 73	Side cover RH ebony black	1	
4	56 PD4H X3	Front Fender Ebony Black	1	
5	56 PD06 X3	Rear Fender Ebony Black	1	
6	Pd 2331 18	Decal cover side LH Spicy Red	1	
	Pd 2331 20	Decal cover side LH Ebony black	1	
7	PD 2331 19	Decal cover side RH Spicy Red	1	
	PD 2331 21	Decal cover side RH Ebony black	1	
8	PD 2330 63	Decal 3D LH	1	
9	PD 2330 64	Decal 3D RH	1	
10	36 PD00 76	Kit tank decal spicy red	1	
	36 PD00 77	Kit tank decal ebony black	1	
11	PD 2330 30	Decal wheel rim front (Dark silver)	1	
12	PD 2330 31	Decal wheel rim rear (Dark silver)	1	
13	PD 2330 01	Avenger branding - handle holder upper	1	

Consumable Parts



No.	Part No.	Description	Supply Unit	Application
1	36 0010 61	Bajaj Genuine Oil 10W50	1.5 Ltr.	Dominar 400
	83 0204 11	Bajaj Genuine Oil 10W30*	1 Ltr.	100cc Models
	83 0203 34	Bajaj Genuine Oil 20W50*	1 Ltr.	125cc and above models
	36 JF01 45	BGO 10W50 - Top up 150 ML		
2	36 0010 58	Bajaj Coolant Koolex*	1 Ltr.	Coolant Top-up/Replace
3	36 DH40 61	Brake Fluid DOT4	100 ml	Disc Brake Top-up/Replace
4	36 DH40 52	Silicon grease	3 gm	Caliper Pin
5	83 0204 73	Grease Petamo GHY 441	3 gm	Water Pump Seals
	36 DK00 45	Grease Molycoat	200 gm	For Starter Clutch Lubrication
6	36 0010 52	HP Lithon RR Grease	10 gm	Steering Race
	36 JL01 81	Limaplex HTX 3 Grease	10 gm	Steering Race
7	83 0201 73	Multi Purpose Grease* (Local Purchase)	--	Lubrication of Clutch Lever, Brake Lever, Brake Pedal & Side Stand
8	36 0010 55	Chain Lubricant HP Make	1 kg	Non - Sealed Chain Lubrication
9	36 0010 62	Liquid gasket L5910	50 ml	Crankcase Joining
10	36 3140 04	Fork oil	160 ml	Front Fork Top-up/Replace\
	36 JG00 87	Fork oil 480 ml (Dominar UG)	480 ml	Front Fork Top-up/Replace\
11	36 DH40 29	Kit Spray Chain Lub	100 ml	Sealed Drive Chain
12	36 DH40 71	Wonderfill Chain Spray	100 ml	Sealed Drive Chain

\* Marked items to be arrange from vendor or local market. Not applicable against chassis number.

Consumable Parts

13		14		15	
16		17		18	
19		20		21	
22		23		24	

No.	Part No.	Description	Supply Unit	Application
13	36 DH40 72	Rust Remover Spray Make - Zorric 88 & Wonder fill easiner	100 ml	For Removing Rust from Components
14	76 0109 36	Loctite Thread locker 243*	50 ml	For Screws & Bolts
15	76 0109 37	Loctite retaining compound 638*	50 ml	For Screws & Bolts
16	37 0043 52	Touch up paint slate grey*	440 ml	Touch up of Frame, Swing Arm & Step Holder
17	37 0043 53	Touch up paint Matte Silk black*	440 ml	Touch up of Grab Handle, Handle Bar & Handle Holder
18	36 0010 60	Kibatsu touch up paint*	400 cc	Touch up of Cylinder head, Block & Alloy Wheels
19	37 2240 18	Paint Bottle Schwartz Black*	--	P-200NS Frame Touch-up
20	75 6802 36 NA	Petroleum Jelly (Local Purchase) Distilled Water (Local Purchase)	-- 1 Ltr.	For Battery Terminals For Battery Level Top-up
21	NA	SAE 90 oil (Local Purchase)	-	
22	62 3050 84	WD40 Spray (Local Purchase)	400 ml	Electrical Contact Cleaning Spray
23	36 0010 56	Carburetor Cleaning Spray*		For Cleaning Carburetor
24	37 2540 39	Corrosion Protection Spray* Proto quick LTP902 (To be ordered on Vendor)	--	For Preventing vehicle parts from rusting

\* Marked items to be arrange from vendor or local market. Not applicable against chassis number.

# Kit List



Sr No	Kit Part No.	Kit Description	Consisting of Following Parts		
			Part No.	Description	Qty/Kit
1	36PD0012	Assly clutch cover	PD 5412 28	Clutch cover	1
			DK 1017 38	Decal cover RH	1
			39 1990 20	Bearing - needle	1
			39 1041 19	Seal oil	1
			31 1010 60	Plug	2
2	36DH4030	Kit chain guide pulsar	DK 1010 59	Guide chain (Slack)	1
			DH 1019 23	Guide cam chain tight side	1
3	36PD0096	Ring set piston	DH 1016 66	Ring piston top	1
			PD 5212 33	Ring piston second	1
			PD 5212 34	Ring piston oil	1
4	36PD0098	Chain sprocket	PD 1410 00	Sprocket	1
			PD 1410 07	Chain	1
			DV 1010 48	Sprocket	1
5	36PD0014	Assly c'case RH	PD 5410 18	Crankcase RH (JC)	1
			59 0500 02	Stud bolt (M10)	1
			39 2583 20	Bearing ball6004 - SKF	1
			59 2000 27	Bearing NRB HK 1516 (15*21*16)	1
			39 2601 20	Bearing ball	1
39 2152 20	Needle roller bearing	1			
6	36PD0013	Assly c'case LH	PD 5410 17	Crankcase LH	1
			CB 1012 20	Plug	1
			59 0500 02	Stud bolt (M10)	1
			39 2603 20	Ball bearing	1
			59 2000 06	Brg ball 6204Z HN3 (20*47*14)	1
			39 2185 20	Deep groove ball bearing	1
			30 1010 14	Seal-oil	1
			39 2190 19	Oil seal	1
DH 1012 03	Breather pipe	1			
7	PD511073	Assembly head mach. With cover	PD 5111 28	Cylinder head comp - SAI	1
			52 PD00 83	Cover head cylinder	1

# Kit List



Sr No	Kit Part No.	Kit Description	Consisting of Following Parts		
			Part No.	Description	Qty/Kit
8	36PD0099	Block - piston	PD 5210 19	Block cylinder assembly	1
			PD 5212 30	Piston assembly	1
9	36DS1001	Cyl. Head O ring kit	39 2391 21	O ring (Cover tappet)	2
			39 1283 21	O ring	2
10	DK101326	Valve repair kit	DK 1012 47	Retainer valve spring	2
			DK 1011 08	Spring valve inner	2
			DK 1011 10	Spring valve outer	2
			DK 1012 46	Seat valve spring	2
11	36DK0007	Kit centrifugal oil filter	39 2200 11	Washer	1
			DH 1012 34	Gasket centrifugal oil filter	1
			39 2267 01	Oval screw	3
			DH 1010 66	Join oil deliver	1
			DH 1010 67	Spring oil deliver	1
39 2199 08	Pin oil deliver joint	1			
12	36DK0038	Set primary drive / driven	DK 1015 61	Clutch housing	1
			DH 1016 28	Gear primary drive	1
13	36PD0030	Kit friction plate	DK 101566	Clutch friction disk (CFD)	4
			PD 551419	Disk c friction clutch	1
			DK 101568	Clutch friction disk - b	1
14	36JG0011	Kit steering head bearing	DK 1810 50	Cage bearing steering top	1
			DG 1810 45	Bearing cone - upper	1
			DG 1810 05	Bearing cone	1
			DG 1810 03	Washer	1
			DG 1810 04	Seal - oil	1
			DK 1810 51	Cage bearing steering bottom	1
			DG 1810 47	Bearing race - lower	1
DG 1810 46	Bearing race - upper	1			
15	52DH0169	Oil pump assembly	DH 1210 01	Pump assembly - oil	1
			DH 1210 10	Mesh - filter - oil pump	1

# Kit List



Sr No	Kit Part No.	Kit Description	Consisting of Following Parts		
			Part No.	Description	Qty/Kit
			39 2194 21	Ring - o	1
			DH 1210 35	Clip mesh oil filter	1
16	36DH4019	Kit centrifugal oil filter	39 2200 11	Washer	1
			DH 1012 34	Gasket centrifugal oil filter	1
			DH 1016 40	Oval screw	1
			DH 1010 66	Join oil delivery	1
			DH 1010 67	Spring oil delivery	1
			39 2199 08	Pin oil delivery joint	1
17	36DJ1004	Valve Kit	DJ 1011 24	Valve - Intake	1
			DJ 1011 25	Valve - Exhaust	1
18	36PD0074	Vacuum piston assembly kit	DJ 12 1012	Piston valve assembly	1
			DJ 12 1013	Spring (CO) DH 12 1047RING	1
			DH 12 1048	Diaphragm	1
			DH 12 1049	PLATE DH 12 1050SPRING (CO)	1
			DH 12 1051	E - Ring	1
			DH 12 1052	Washer	1
			DH 12 1160	Ring (Shim)	1
			DH 12 1065	Screw	1
19	36DH4136	Pilot screw kit	DJ 12 1036	Adjuster	1
			DH 12 1086	Spring (CO)	1
			DH 12 1087	Washer	1
			DH 12 1088	O - Ring	1
			DH 12 1130	O - Ring	1
20	DH 12 1168	Idling adjuster kit	DH 12 1163	Spring	1
			DH 12 1077	Packing	1
			DH 12 1164	Adjust screw	1
21	36PD0075	Jet kit	DJ 12 1133	Needle jet	1
			DJ 12 1017	Main jet	1
			DJ 12 1067	Pilot jet	1
			PD 58 1223	Jet holder	1

# Kit List



Sr No	Kit Part No.	Kit Description	Consisting of Following Parts		
			Part No.	Description	Qty/Kit
22	DH 12 1167	Float body assembly kit	DH 12 1057	O - Ring	1
			DH 12 1161	Screw	1
			DH 12 1223	Float chamber body assembly	1
			DH 12 1177	Screw	1
			DH 12 1118	O- Ring	1
23	DH 12 1170	Top cap assembly kit	DH 12 1044	Diaphragm cover	1
			DH 12 1176	Screw	1
24	36PD0078	Kit saree guard + Grab + Fitting	PD 2314 26	Grab handle front	1
			PD 2312 12	Saree guard RH	1
			KA DD10 60	Bolt flanged	1
			KA DU08 55	Bolt flanged M8 x 1.25 x L55	1
			KA DU08 40	Bolt flanged M8 x 1.25 x L40	1
			KA DD08 14	Bolt flanged	1



# Parts Index



Part Number	Figure No.	Page No.
30 1410 31	10	82
30 1510 05	7	64
30 1510 38	25	64
30 1510 69	16	64
30 1510 82	12	64
30 1810 26	16A	78
30 1910 17	16	74
30 1910 24	15	74
30 1910 35	1	92
30 1910 36	5	92
30 1910 48	3	104
31 1011 08	14	22
31 1011 73	4	14
31 1210 06	9	12
31 1610 78	6	94
31 2010 01	5	100
31 2010 01	6	102
33 1410 08	8	82
33 1410 08	8	6
36 0010 52	6	112
36 0010 55	8	112
36 0010 56	23	114
36 0010 58	2	112
36 0010 60	18	114
36 0010 61	1	112
36 0010 62	9	112

Part Number	Figure No.	Page No.
36 3140 04	33	80
36 3140 04	10	112
36 DH40 19	7	14
36 DH40 29	11	112
36 DH40 30	5	10
36 DH40 52	4	112
36 DH40 61	3	112
36 DH40 71	12	112
36 DH40 72	13	114
36 DH41 36	11	36
36 DJ10 04	7	8
36 DJ40 17	1	28
36 DK00 38	9	14
36 DK00 38	4	32
36 DK00 45	14	44
36 DK00 45	5	112
36 DK00 74	6	32
36 DK00 77	18	44
36 DV00 05	10	54
36 JF00 15	11	70
36 JF00 16	10	70
36 JG00 11	4	46
36 JG00 87	10	112
36 JL01 81	6	112
36 PD00 13	1	26
36 PD00 14	2	24

# Parts Index



Part Number	Figure No.	Page No.
36 PD00 43	4	70
36 PD00 44	7	70
36 PD00 45	8	70
36 PD00 50	1	68
36 PD00 51	1A	68
36 PD00 53	13	68
36 PD00 54	4	68
36 PD00 73	2	68
36 PD00 74	2	36
36 PD00 75	8	36
36 PD00 76	10	110
36 PD00 77	10	110
36 PD00 78	7	96
36 PD00 82	21	78
36 PD00 89	2	72
36 PD00 90	3	72
36 PD00 91	6	72
36 PD00 96	4	12
36 PD00 98	10	64
36 PD00 99	6	12
37 0043 52	16	114
37 0043 53	17	114
37 2240 18	19	114
37 2540 39	24	114
39 0694 15	23	66
39 0711 11	18	68

Part Number	Figure No.	Page No.
39 0740 11	26	84
39 0805 11	5	66
39 0972 04	16	44
39 0999 06	14	4
39 0999 06	10	28
39 0999 06	4	30
39 0999 06	4	34
39 1041 19	3	28
39 1069 01	21	64
39 1069 01	2	66
39 1076 01	4	94
39 1283 21	12	4
39 1620 11	9	16
39 1660 05	2	4
39 1686 06	8	16
39 1845 04	11	24
39 1880 20	10	32
39 1931 20	6	14
39 1967 04	5	48
39 1970 15	5	38
39 1970 15	3	48
39 1990 20	18	28
39 1998 19	13	22
39 1999 15	20	22
39 2044 01	11	40
39 2046 01	10	40

# Parts Index



Part Number	Figure No.	Page No.
39 2152 20	5	16
39 2152 20	8	44
39 2158 11	2	18
39 2159 11	24	18
39 2160 11	9	18
39 2165 11	3	14
39 2180 06	8	24
39 2180 06	22	26
39 2181 06	13	4
39 2181 06	2	12
39 2188 19	4	26
39 2190 19	12	26
39 2194 21	6	34
39 2199 08	15	14
39 2200 11	16	32
39 2203 07	8	14
39 2228 15	11	22
39 2391 21	2	2
39 2400 11	12	22
39 2423 11	10	58
39 2440 11	9	8
39 2448 11	20	26
39 2492 11	11	38
39 2532 04	8	2
39 2535 15	6	96
39 2601 20	7	24

Part Number	Figure No.	Page No.
39 2603 20	8	26
39 2606 07	7	20
39 2608 01	10	4
39 2647 15	6	2
39 2669 21	1	10
52 DH01 69	1	34
52 DH01 77	10	16
52 PD01 09	5	30
52 PD01 35	1	30
52 PD05 95	1	110
52 PD05 98	1	110
52 PD09 70	2	110
52 PD09 71	3	110
52 PD09 72	2	110
52 PD09 73	3	110
56 DJ4E 1Y	12	44
56 PD06 X3	5	110
56 PD4H X3	4	110
59 0400 01	7	90
59 0400 02	2	90
59 0400 03	26	76
59 0400 05	27	80
59 0400 42	1	48
59 0400 43	7	48
59 0500 08	3	24
59 0500 08	2	26

# Parts Index



Part Number	Figure No.	Page No.
59 1000 02	19	44
59 2000 06	9	26
59 2000 07	3	44
59 2000 27	9	24
59 2000 28	12	16
59 2000 29	10	26
59 2100 06	5	26
60 1114 20	8	40
62 3050 84	22	114
75 6802 36	20	114
76 0109 36	14	114
76 0109 37	15	114
83 0201 73	7	112
83 0203 34	1	112
83 0204 11	1	112
83 0204 73	5	112
AA 1014 37	13	18
AA 1014 37	4	24
AA 1410 67	12	6
AA 2012 27	3	100
AK 2010 12	12	104
AP 1010 43	7	30
AP 1110 12	12	42
AP 2010 25	14	104
BG 1138 04	9	64
CS 1011 28	14	10

Part Number	Figure No.	Page No.
DD 1010 62	8	10
DD 1110 12	15	42
DD 1210 07	8	12
DD 1412 27	25	84
DD 1610 22	8	94
DD 1610 71	4	58
DE 1510 45	9	70
DE 1510 46	5	70
DE 1510 47	6	70
DG 1010 29	4	8
DG 1011 87	6	22
DG 1012 85	4	38
DG 1013 39	5	22
DG 1014 18	7	28
DG 1014 19	9	38
DG 1014 56	11	26
DG 1014 98	3	2
DG 1014 98	15	26
DG 1110 08	7	42
DG 1210 10	2	40
DG 1210 12	3	40
DG 1210 14	5	40
DG 1210 20	4	40
DG 1210 23	9	40
DG 1410 17	2	106
DG 1410 19	13	82

# Parts Index



Part Number	Figure No.	Page No.	Part Number	Figure No.	Page No.
DG 1410 24	11	82	DG 1611 29	3	58
DG 1410 25	12	82	DG 1611 44	7	54
DG 1410 26	14	82	DG 1611 45	12	54
DG 1410 27	16	82	DG 1611 47	11	54
DG 1410 43	9	82	DG 1611 50	21	54
DG 1410 59	5	82	DG 1611 53	24	54
DG 1510 05	7	62	DG 1611 54	11	48
DG 1510 06	1	62	DG 1611 65	12	48
DG 1510 07	8	62	DG 1611 68	6	106
DG 1510 58	15	64	DG 1611 89	22	54
DG 1510 59	4	64	DG 1612 19	2	58
DG 1510 60	5	64	DG 1612 20	1	94
DG 1510 62	19	64	DG 1612 22	14	54
DG 1510 65	24	64	DG 1612 25	9	94
DG 1510 67	26	64	DG 1612 30	6	58
DG 1510 68	14	64	DG 1612 76	11	58
DG 1510 85	18	64	DG 1710 16	5	50
DG 1510 96	3	64	DG 1710 17	7	50
DG 1611 08	5	56	DG 1710 18	9	50
DG 1611 10	3	56	DG 1710 19	10	50
DG 1611 17	5	94	DG 1710 22	8	50
DG 1611 18	7	94	DG 1710 25	6	52
DG 1611 20	2	94	DG 1710 29	5	52
DG 1611 21	3	94	DG 1710 34	6	50
DG 1611 24	10	38	DG 1710 35	2	52
DG 1611 24	8	58	DG 1710 36	4	52

# Parts Index



Part Number	Figure No.	Page No.	Part Number	Figure No.	Page No.
DG 1710 37	3	52	DG 1810 85	8	102
DG 1710 38	8	52	DG 1810 96	27	76
DG 1810 03	18	78	DG 1910 10	11	74
DG 1810 04	23	80	DG 1910 12	12	74
DG 1810 05	20	78	DG 1910 13	14	74
DG 1810 06	15	78	DG 1910 14	17	74
DG 1810 08	28	80	DG 1910 48	17	66
DG 1810 11	13	78	DG 1910 50	7	92
DG 1810 13	14	78	DG 1910 51	9	66
DG 1810 14	6	78	DG 1910 65	6	92
DG 1810 15	7	78	DG 2010 15	4	100
DG 1810 21	24	80	DG 2010 23	10	106
DG 1810 22	11	78	DG 2010 30	20	74
DG 1810 24	19	78	DG 2010 61	17	104
DG 1810 24	39	80	DG 2210 09	5	106
DG 1810 25	29	80	DH 1010 18	11	28
DG 1810 26	22	80	DH 1010 64	10	14
DG 1810 28	37	80	DH 1010 65	12	14
DG 1810 36	32	80	DH 1010 66	17	14
DG 1810 40	17	68	DH 1010 67	16	14
DG 1810 41	31	80	DH 1010 72	2	16
DG 1810 54	25	76	DH 1010 78	3	18
DG 1810 55	1	106	DH 1010 79	4	18
DG 1810 57	8	106	DH 1010 80	6	18
DG 1810 58	11	106	DH 1011 08	12	18
DG 1810 59	12	106	DH 1011 10	14	18

# Parts Index



Part Number	Figure No.	Page No.	Part Number	Figure No.	Page No.
DH 1011 11	15	18	DH 1013 85	5	44
DH 1011 41	4	28	DH 1013 88	14	30
DH 1011 42	5	28	DH 1013 89	6	20
DH 1011 46	3	20	DH 1013 89	13	44
DH 1011 52	20	28	DH 1013 90	19	26
DH 1011 54	12	28	DH 1013 92	11	10
DH 1011 63	20	44	DH 1013 93	7	22
DH 1011 72	7	44	DH 1013 94	10	22
DH 1011 95	11	14	DH 1013 96	2	14
DH 1011 97	2	28	DH 1014 12	7	10
DH 1012 03	13	26	DH 1014 14	3	12
DH 1012 35	5	18	DH 1014 24	6	16
DH 1012 75	23	28	DH 1014 87	10	24
DH 1012 92	9	30	DH 1014 93	4	20
DH 1012 93	10	30	DH 1014 96	9	20
DH 1012 94	11	30	DH 1015 08	4	4
DH 1012 95	8	8	DH 1015 44	16	28
DH 1013 19	18	18	DH 1015 81	4	44
DH 1013 36	11	18	DH 1016 40	18	14
DH 1013 55	14	14	DH 1016 48	14	32
DH 1013 73	14	16	DH 1016 71	5	12
DH 1013 79	7	26	DH 1016 80	11	4
DH 1013 81	4	42	DH 1017 14	2	22
DH 1013 81	9	106	DH 1018 62	3	32
DH 1013 85	3	16	DH 1018 96	5	24
DH 1013 85	23	26	DH 1019 28	2	10

# Parts Index



Part Number	Figure No.	Page No.	Part Number	Figure No.	Page No.
DH 1020 13	8	18	DH 1210 57	5	36
DH 1020 22	19	18	DH 1210 93	13	36
DH 1020 52	13	16	DH 1211 62	7	36
DH 1020 53	4	16	DH 1211 67	9	36
DH 1021 04	1	16	DH 1211 68	3	36
DH 1021 18	7	4	DH 1211 70	10	36
DH 1021 25	9	10	DH 1510 39	2	70
DH 1021 66	15	30	DH 1611 45	12	58
DH 1021 74	5	6	DH 1611 46	13	58
DH 1021 80	6	6	DH 1710 19	4	62
DH 1021 89	8	20	DH 1710 19	17	64
DH 1021 98	13	32	DH 1910 17	28	76
DH 1022 01	5	2	DH 1910 62	15	68
DH 1022 20	1	14	DJ 1010 64	3	38
DH 1023 29	9	4	DJ 1013 12	23	18
DH 1025 08	1	18	DJ 1210 22	6	4
DH 1025 11	7	18	DJ 1210 59	12	36
DH 1025 13	16	18	DJ 1410 08	9	46
DH 1025 14	17	18	DJ 1410 56	3	82
DH 1110 13	9	42	DJ 1612 28	6	30
DH 1110 16	11	42	DJ 1710 44	4	50
DH 1111 14	10	44	DJ 1910 26	5	68
DH 1210 10	3	34	DJ 1910 27	6	68
DH 1210 11	14	28	DJ 1910 28	7	68
DH 1210 12	15	28	DJ 1910 29	8	68
DH 1210 35	5	34	DJ 1910 30	9	68

# Parts Index



Part Number	Figure No.	Page No.	Part Number	Figure No.	Page No.
DJ 1910 31	10	68	DK 1015 95	1	44
DJ 1910 34	11	68	DK 1015 96	21	44
DJ 1910 35	12	68	DK 1016 05	15	44
DJ 2011 09	14	68	DK 1017 22	3	22
DJ 2011 73	15	56	DK 1017 25	8	22
DK 1010 63	1	12	DK 1017 32	5	20
DK 1010 72	12	32	DK 1017 33	1	22
DK 1010 97	6	26	DK 1017 38	19	28
DK 1011 44	10	18	DK 1017 48	1	8
DK 1011 59	1	20	DK 1017 51	2	8
DK 1011 60	2	20	DK 1017 55	3	8
DK 1011 76	6	44	DK 1018 87	3	26
DK 1012 45	20	18	DK 1510 26	3	60
DK 1012 51	6	28	DK 1510 39	1	60
DK 1012 84	3	42	DK 1810 43	2	74
DK 1013 26	6	8	DK 1810 50	13	46
DK 1013 52	21	18	DK 1810 51	7	46
DK 1013 80	16	26	DK 1810 75	5	46
DK 1014 80	13	28	DK 1810 76	2	46
DK 1015 68	6B	32	DK 2010 49	5	104
DK 1015 69	5	32	DM 1210 14	13	86
DK 1015 70	15	32	DP 1210 18	12	40
DK 1015 71	2	32	DP 1611 44	30	80
DK 1015 73	11	32	DS 1010 71	21	28
DK 1015 74	9	32	DS 1010 84	7	2
DK 1015 92	7	12	DS 1011 54	5	14

# Parts Index



Part Number	Figure No.	Page No.	Part Number	Figure No.	Page No.
DS 1011 66	4	2	DX 1610 66	13	56
DS 1012 15	8	28	GF 2010 50	28	84
DS 2010 25	9	104	GH 2010 12	10	102
DT 1138 58	10	46	JA 5812 33	6	36
DT 1310 17	3	62	JC 1010 34	12	10
DT 1318 57	29	64	JC 1010 35	10	10
DU 1012 23	14	26	JC 1010 85	3	10
DU 1613 84	9	56	JC 1010 86	4	10
DV 1010 34	15	22	JC 1011 14	2	44
DV 1010 39	16	22	JC 1011 45	9	44
DV 1010 42	2	30	JC 1110 28	1	42
DV 1010 45	9	22	JD 1138 14	13	6
DV 1010 48	22	18	JD 1138 14	9	72
DV 1210 04	18	40	JD 1318 11	10	62
DV 1510 07	5	62	JD 1710 16	7	40
DV 1610 17	1	58	JD 4010 32	10	100
DV 1610 36	10	104	JD 4022 17	18	104
DV 1610 46	1	54	JE 5412 12	8	30
DV 1610 50	9	54	JE 5412 13	17	28
DV 1610 60	9	58	JE 5810 39	9	6
DV 1810 08	5	90	JE 5810 68	17	40
DV 1810 09	4	90	JF 4018 03	6	104
DV 1810 10	3	90	JG 1312 20	6	42
DV 1810 13	5	78	JG 1312 20	12	62
DV 1910 07	3	68	JG 1312 20	28	64
DV 2010 16	8	104	JG 1710 29	16	86

# Parts Index



Part Number	Figure No.	Page No.	Part Number	Figure No.	Page No.
JG 1710 86	7	86	JM 1610 03	2	48
JG 1812 43	11	98	JM 1610 37	15	54
JG 4018 08	20	104	JM 1610 37	1	66
JG 4020 05	4	72	JM 1710 04	2	50
JH 1318 84	14	62	JM 1910 10	3	74
JH 1318 84	32	64	JM 1910 11	4	66
JH 1710 17	21	82	JM 1910 12	7	66
JH 1710 48	3	86	JM 1910 13	8	66
JH 1716 02	18	86	JM 1910 13	2	92
JK 5110 02	13	40	JM 1910 14	15	66
JL 1220 26	3	50	JM 1910 14	13	104
JL 1312 32	8	64	JM 2210 03	1	108
JL 1711 01	17	86	JP 1812 29	5	98
JL 1711 02	15	86	JP 1812 80	14	6
JL 4022 07	19	104	JP 1812 80	5	72
JL 5810 65	11	6	JP 4022 21	11	72
JL 5810 66	10	6	JU 5112 14	5	8
JM 1000 02	19	22	JW 1318 07	3	70
JM 1000 03	18	22	JY 1138 42	10	86
JM 1000 40	12	30	JY 1710 69	14	86
JM 1000 41	13	30	JY 1710 77	1	86
JM 1010 22	14	38	JY 1710 90	19	86
JM 1010 27	2	38	JZ 1112 92	11	46
JM 1410 09	15	82	JZ 1710 55	20	86
JM 1510 05	6	64	JZ 2328 05	4	56
JM 1610 02	4	48	KA AD05 20	7	34

# Parts Index



Part Number	Figure No.	Page No.	Part Number	Figure No.	Page No.
KA AL06 22	19	74	KA DU08 55	5	96
KA CA05 16	13	106	KA EA06 10	19	42
KA CA06 12	6	54	KA EA06 12	7	106
KA CF08 30	16	78	KA EA06 22	7	102
KA CJ06 50	23	76	KA ED06 08	7	72
KA DA06 14	4	88	KA ED06 08	12	72
KA DC05 10	12	38	KA ED06 14	33	64
KA DD06 10	25	104	KA ED06 16	19	68
KA DD06 12	2	104	KA ED06 20	13	10
KA DD06 12	22	104	KA ED06 20	9	78
KA DD06 22	17	22	KA ED06 25	8	4
KA DD06 30	14	42	KA ED06 25	11	16
KA DD08 14	3	96	KA ED06 25	24	28
KA DD08 60	10	48	KA ED06 25	2	34
KA DD08 60	13	48	KA ED06 35	9	2
KA DF06 12	17	82	KA ED06 45	18	26
KA DF06 14	15	62	KA EG06 14	7	6
KA DF06 14	17	78	KA EM06 10	5	54
KA DF06 18	23	42	KB CA04 16	8	34
KA DF06 22	18	82	KB CG03 16	18	74
KA DF06 30	15	6	KB RA35 10	24	84
KA DF08 14	12	56	KB RA48 19	8	98
KA DF08 25	16	88	KB UA06 12	18	54
KA DT06 14	30	64	KB UA06 12	13	66
KA DU08 40	7	56	KB UA06 16	6	88
KA DU08 40	4	96	KB UC06 14	3	46

# Parts Index



Part Number	Figure No.	Page No.	Part Number	Figure No.	Page No.
KC AD06 05	21	22	KJ AC18 24	3	4
KC AK06 05	3	66	KP AF60 04	6	24
KC BA06 04	23	104	KP BC60 04	22	64
KC BC08 05	11	50	KP BC62 02	6	62
KC GA05 05	22	82	KP BC62 02	13	64
KC GA06 06	10	72	KP BC63 02	23	64
KC GA06 06	6	90	LA C000 16	2	98
KC GA06 06	7	100	LA C000 27	12	98
KC GC06 06	8	56	LA C000 90	15	88
KC GF06 06	16	6	LA D000 43	11	104
KC HC06 08	22	42	LA E000 18	9	28
KD AA08 16	10	66	LA E000 18	3	30
KD AB06 11	8	54	LA E000 18	11	44
KD AE05 10	7	98	LA G000 10	3	88
KD BA06 13	14	88	LB B000 14	19	82
KD BB06 13	13	72	LB U000 08	17	54
KD BB08 18	20	66	LB U000 08	14	66
KD DB10 18	7	52	LB U000 09	9	100
KD DB10 18	19	66	LC H000 01	24	76
KE AB10 10	7	16	LC L000 01	6	38
KE CC01 10	13	54	LC L000 01	18	66
KH AA20 20	23	54	LC L000 01	5	102
KH AA20 20	11	66	LC L000 02	14	98
KH AA32 35	7	58	LC L000 04	11	64
KH BA08 28	24	66	LD A000 34	3	98
KJ AB10 19	17	26	LD A000 43	6	82

# Parts Index



Part Number	Figure No.	Page No.	Part Number	Figure No.	Page No.
LD B000 01	9	62	PD 1138 06	21	104
LD B000 01	20	64	PD 1138 07	18	42
LD B000 14	12	78	PD 1138 08	6	46
LD B000 14	13	98	PD 1138 09	14	106
LD B000 15	6	100	PD 1138 10	20	42
LD B000 23	9	102	PD 1138 11	21	42
LD B000 83	19	98	PD 1138 14	8	46
LD F000 01	17	44	PD 1138 22	10	2
LE C000 01	6	66	PD 1138 23	8	72
LH B000 01	21	66	PD 1210 06	34	80
NA	20	114	PD 1210 07	1	78
NA	21	114	PD 1210 09	3	78
PA 4010 18	27	84	PD 1210 10	4	78
PA 4022 04	24	104	PD 1210 11	26	80
PD 1110 63	1	46	PD 1210 12	25	80
PD 1130 00	2	54	PD 1210 14	35	80
PD 1130 01	26	54	PD 1210 15	10	78
PD 1130 02	19	54	PD 1220 03	16	66
PD 1130 03	3	54	PD 1220 04	22	66
PD 1130 04	20	54	PD 1220 13	1	50
PD 1130 07	27	54	PD 1220 16	1	52
PD 1130 10	25	54	PD 1310 07	4	60
PD 1132 08	5	58	PD 1312 11	2	60
PD 1134 10	8	48	PD 1312 12	1	64
PD 1134 11	9	48	PD 1312 24	5	60
PD 1134 13	6	48	PD 1318 09	2	64

# Parts Index



Part Number	Figure No.	Page No.	Part Number	Figure No.	Page No.
PD 1318 24	1	70	PD 1716 12	4	82
PD 1318 34	2	62	PD 1716 16	4	86
PD 1318 35	11	62	PD 1716 19	11	86
PD 1318 36	27	64	PD 1810 00	4	104
PD 1318 58	1	72	PD 1812 12	7	88
PD 1318 87	16	68	PD 1812 13	10	88
PD 1510 00	1	74	PD 1812 14	8	88
PD 1510 01	6	74	PD 1812 15	11	88
PD 1510 04	7	74	PD 1812 22	4	98
PD 1510 05	8	74	PD 1812 23	8	78
PD 1510 20	4	74	PD 1812 39	10	98
PD 1510 20	2	78	PD 1812 41	1	98
PD 1610 01	10	74	PD 1812 43	38	80
PD 1610 04	9	74	PD 1812 45	6	98
PD 1612 07	3	92	PD 1814 00	14	56
PD 1612 08	4	92	PD 1814 01	10	56
PD 1710 03	7	82	PD 1814 08	11	56
PD 1710 08	2	82	PD 1814 11	6	56
PD 1710 29	12	86	PD 1814 12	1	56
PD 1710 48	1	82	PD 1814 13	2	56
PD 1710 49	12	46	PD 1814 21	16	56
PD 1716 02	8	86	PD 1910 01	2	88
PD 1716 04	6	86	PD 1910 09	1	88
PD 1716 05	2	86	PD 2312 01	1	96
PD 1716 06	5	86	PD 2312 02	2	96
PD 1716 09	9	86	PD 2312 04	13	38

# Parts Index



Part Number	Figure No.	Page No.	Part Number	Figure No.	Page No.
PD 2312 05	16	54	PD 3512 52	8	42
PD 2312 05	12	66	PD 4010 14	15	98
PD 2312 06	4	54	PD 4010 32	3	102
PD 2314 02	12	88	PD 4010 33	4	102
PD 2314 03	13	88	PD 4010 38	8	100
PD 2314 04	18	88	PD 4010 45	1	102
PD 2314 11	17	88	PD 4010 46	2	102
PD 2314 12	5	88	PD 4014 04	22	74
PD 2314 20	9	88	PD 4014 24	21	74
PD 2316 04	5	74	PD 4016 01	1	104
PD 2316 05	13	74	PD 4020 07	13	42
PD 2326 03	4	106	PD 4022 13	21	26
PD 2326 04	3	106	PD 4022 13	16	104
PD 2328 19	36	80	PD 4022 14	15	104
PD 2330 01	13	110	PD 4022 34	7	104
PD 2330 30	11	110	PD 4024 02	1	90
PD 2330 31	12	110	PD 4026 02	20	82
PD 2330 63	8	110	PD 4026 08	23	84
PD 2330 64	9	110	PD 4036 02	13	62
Pd 2331 18	6	110	PD 4036 02	31	64
PD 2331 19	7	110	PD 5010 63	1	24
Pd 2331 20	6	110	PD 5110 25	1	2
PD 2331 21	7	110	PD 5110 73	1	4
PD 3510 02	2	42	PD 5111 29	17	42
PD 3512 35	10	42	PD 5112 29	6	10
PD 3512 37	16	42	PD 5310 29	13	14

# Parts Index



Part Number	Figure No.	Page No.
PD 5412 74	5	42
PD 5412 79	22	28
PD 5514 00	1	32
PD 5514 19	6A	32
PD 5514 27	8	32
PD 5514 39	7	32
PD 5612 52	4	22
PD 5810 09	6	40
PD 5810 11	19	40
PD 5810 61	14	40
PD 5810 62	16	40
PD 5810 63	15	40
PD 5811 00	1	40
PD 5812 22	4	36
PD 5812 26	1	36
PD 5814 10	5	4
PD 5822 00	1	6
PD 5824 00	2	6
PD 5824 01	3	6
PD 5824 02	4	6
PD 5910 23	15	38
PD 5911 00	8	38
PD 5911 01	7	38
YP D140 01	9	98
YP D140 02	16	98
YP D140 03	17	98

# Parts Index



Part Number	Figure No.	Page No.
YP D140 04	18	98
YP D150 01	1	100
YP D150 02	2	100
YP D300 01	1	38

Part Number	Figure No.	Page No.
-------------	------------	----------

Part Number	Figure No.	Page No.
-------------	------------	----------